



# BRAKE DISC DUAL CAST

## 09.D174.33

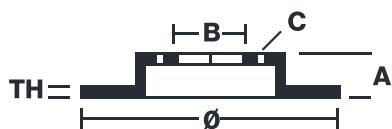
Dual Cast brake disc 09.D174.33 belongs to Brembo Premium Line

The Dual Cast brake disc is an exclusive Brembo solution characterised by a cast iron braking surface and the aluminium hat, which combine the advantages of cast iron behaviour at high temperatures with the light weight of aluminium. This results in a lighter weight and less thermal deformation for improved braking system performance.

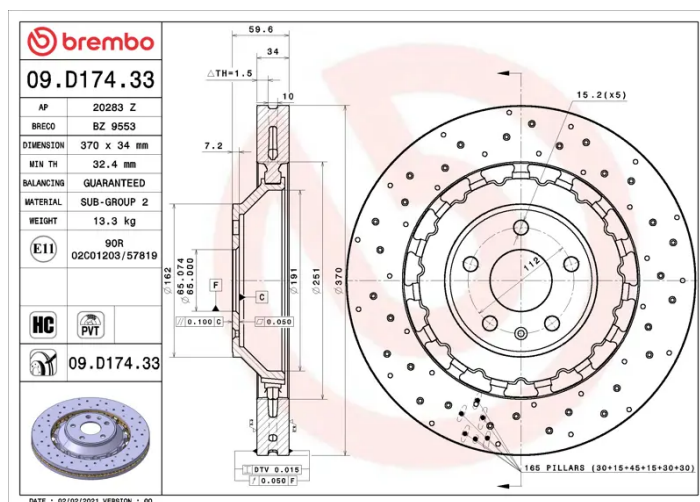


- ✓ OE-equivalent
- ✓ Brembo quality
- ✓ ECE-R90 certificate
- ✓ Weight reduction
- ✓ High carbon
- ✓ Bi-Material Brake Disc
- ✓ Anti-corrosion
- ✓ Fading resistance

### Technical specifications



EAN code <b>8020584316375</b>	Axle <b>Front</b>	Diameter Ø <b>370 mm</b>
Thickness (TH) <b>34 mm</b>	Height (A) <b>60 mm</b>	Number of holes (C) <b>5</b>
Brake disc type <b>Ventilated</b>	Centering (B) <b>65 mm</b>	Min. thickness <b>32,4 mm</b>



**COMPATIBLE VEHICLES**

## COMPATIBLE OE PART NUMBERS

8V0615301P

AUDI

---

8V0615301S

AUDI

---