



BRAKE DISC PAINTED

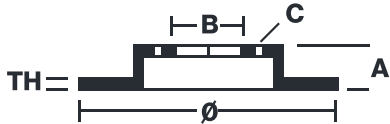
09.E067.11

The 09.E067.11 painted brake disc is synonymous with reliability


The Brembo brake disc with special UV paint treatment guarantees superior corrosion resistance for the product, thanks to the protective coating on the outer edges and on the disc hub. The UV paint not only gives the disc a clean, shiny appearance but is also beneficial for the environment as the water-based UV paint treatment does not require the use of chemical solvents and is a low energy consumption process.

- ✓ OE-equivalent
- ✓ Brembo quality
- ✓ ECE-R90 certificate
- ✓ Safety
- ✓ Anti-corrosion

Technical specifications

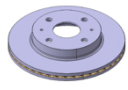


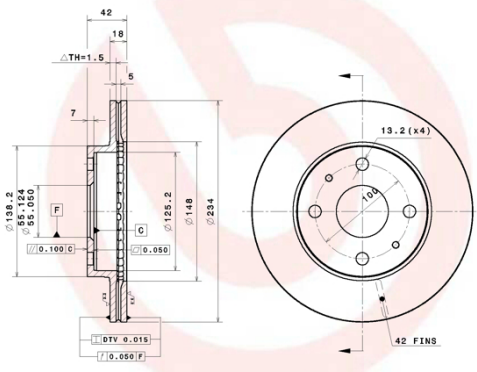
EAN code	Diameter Ø	
8020584313473	234 mm	
Thickness (TH)	Height (A)	Number of holes (C)
18 mm	42 mm	4
Brake disc type	Centering (B)	Min. thickness
Ventilated	55 mm	17 mm



09.E067.11

AP	20259 V
BRECO	BV 9526
DIMENSION	324 x 18 mm
MIN TH	17 mm
BALANCING	GUARANTEED
MATERIAL	SUB-GROUP 1
WEIGHT	4 Kg
E11	90R 02C01202/25619





DATE : 09/12/2020 VERSION : 00