



BRAKE PAD PRIME CERAMIC P06051N

The P06051N NAO brake pad is synonymous with reliability

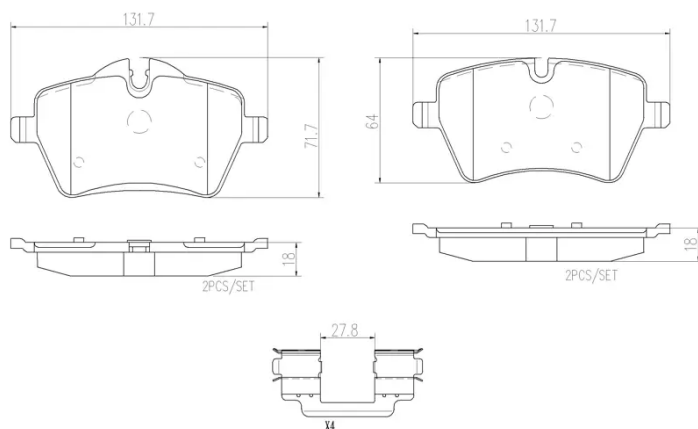
Brembo NAO brake pads stand out for their ultimate braking comfort, reduced friction wear and low dust mission, which makes for cleaner rims and reduced maintenance requirements. The advanced friction material in keeping with the strictest environmental standards is the main distinguishing feature of NAO compounds.

- ✓ OE-equivalent
- ✓ Brembo quality
- ✓ Safety
- ✓ Comfort
- ✓ Durability
- ✓ Dust reduction
- ✓ With accessories



Technical specifications

EAN code 8020584095959	Axle Front	Thickness 18 mm
Width 132 mm	Height 64 mm	Braking system TRW
Wear indicator Prepared for wear indicator	WVA number 23985,23984	Accessories With anti-squeal shim



COMPATIBLE VEHICLES

COMPATIBLE OE PART NUMBERS

2167235	MINI
---------	------

2289147	MINI
---------	------

34112167235	MINI
-------------	------

34112289147	MINI
-------------	------

34116798469	MINI
-------------	------

6798469	MINI
---------	------
