



BRAKE PAD XTRA CERAMIC P11023NX

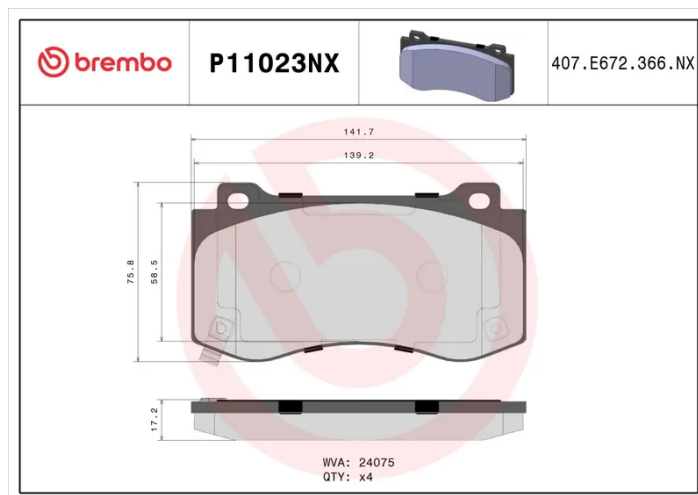
Xtra Ceramic brake pad P11023NX belongs to Brembo Cool Line

Brembo Xtra Ceramic brake pads have a specific compound which, beside being copper free, also contains less metal compared to Xtra pads. This feature make Xtra Ceramic more focused on comfort and cleaner rims, thanks to the ceramic friction material, while guaranteeing the top performance proper of the Xtra line. Xtra Ceramic range is fully ECE R90 homologated.

- ✓ Brembo quality
- ✓ ECE-R90 certificate
- ✓ Safety
- ✓ Performance
- ✓ Dust reduction
- ✓ Comfort

Technical specifications

EAN code	Axle	Thickness
8020584131053	Front	17 mm
Width	Height	Braking system
142 mm	76 mm	Brembo
Wear indicator	WVA number	Accessories
Acoustic	24075	With anti-squeal shim



COMPATIBLE VEHICLES

COMPATIBLE OE PART NUMBERS

00K68144213AB	CHRYSLER
---------------	----------

05174311AA	CHRYSLER
------------	----------

05174311AB	CHRYSLER
------------	----------

05174311AC	CHRYSLER
------------	----------

068144213AA	CHRYSLER
-------------	----------

5174311AA	CHRYSLER
-----------	----------

5174311AB	CHRYSLER
-----------	----------

5174311AC	CHRYSLER
-----------	----------

68144213AA	CHRYSLER
------------	----------

68144213AB	CHRYSLER
------------	----------

K05174311AC	CHRYSLER
-------------	----------

107859842	DODGE
-----------	-------

00K68002193AA	JEEP
---------------	------

68002193AA	JEEP
------------	------

K68002193AA	JEEP
-------------	------