



BRAKE PAD PRIME CERAMIC P24175N

The P24175N NAO brake pad is synonymous with reliability

Brembo NAO brake pads stand out for their ultimate braking comfort, reduced friction wear and low dust mission, which makes for cleaner rims and reduced maintenance requirements. The advanced friction material in keeping with the strictest environmental standards is the main distinguishing feature of NAO compounds.

- ✓ OE-equivalent
- ✓ Brembo quality
- ✓ Safety
- ✓ Comfort
- ✓ Durability
- ✓ Dust reduction
- ✓ With accessories



Technical specifications

EAN code
8020584081617

Axle
Rear

Thickness
16 mm

Width
123 mm

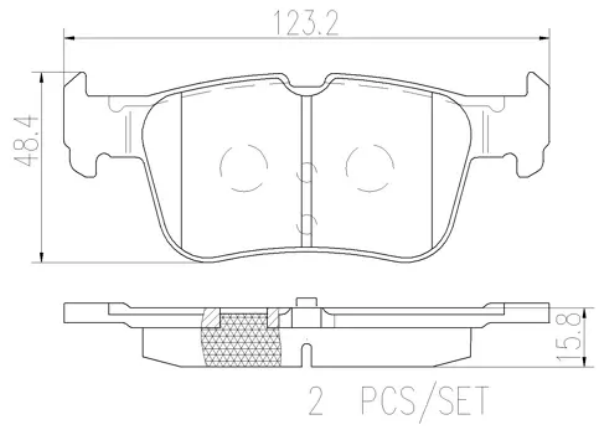
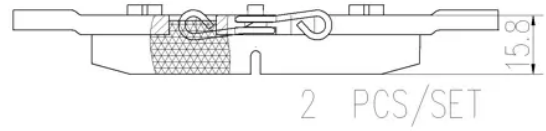
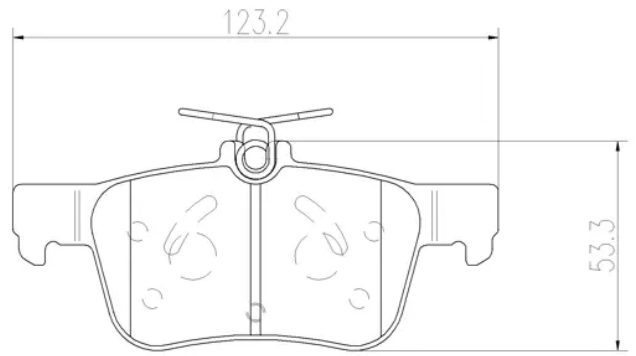
Height
48 mm

Braking system
Teves

Wear indicator
Without

WVA number
22531,22231

Accessories
With anti-squeal shim



COMPATIBLE VEHICLES

COMPATIBLE OE PART NUMBERS

2018449	FORD
2110582	FORD
2211284	FORD
2454300	FORD
2465422	FORD
5302023	FORD
5341206	FORD
BRF1579	FORD
BRF35	FORD
DF9Z2200F	FORD
DF9Z2200Z	FORD
DG9C2M0007AB	FORD
DG9C2M007AB	FORD
DG9C2M007CB	FORD
DG9C2M007GA	FORD
DG9Z2200A	FORD
DG9Z2200D	FORD
DG9Z2200E	FORD
DG9Z2200J	FORD
DG9Z2200M	FORD
DG9Z2200R	FORD
K2GZ2200A	FORD
KTJ1GC2M007AA	FORD
KTJ1GC2M007AB	FORD
MEDG9J2M007HA	FORD
MEK1GJ2M008AA	FORD
5181857	FORD (CHANGAN)
DG9C2M007AA	FORD (CHANGAN)
DG9C2M007AB	FORD (CHANGAN)
DG9C2M007AC	FORD (CHANGAN)
DG9C2M007CC	FORD (CHANGAN)
G2MJ2C453CEA	FORD (CHANGAN)
G2MJ2C453CEB	FORD (CHANGAN)
G2MZ2V200R	FORD (CHANGAN)
KTLX612M007ACA	FORD (CHANGAN)
KTLX612M007ACB	FORD (CHANGAN)
LX6Z2200C	FORD (CHANGAN)
5302023	FORD USA
BRF30	FORD USA
BRF35	FORD USA
DG9C2M007CB	FORD USA
DG9Z2200A	FORD USA
DG9Z2200C	FORD USA
DG9Z2200F	FORD USA
BR1665	LINCOLN

BRF1455	LINCOLN
BRF1474	LINCOLN
DG9Z2200D	LINCOLN
FU2Z2V200B	LINCOLN
FU2Z2V200D	LINCOLN
D40606L50A	NISSAN (DFAC)