



# BRAKE PAD PRIME CERAMIC

## P30093N

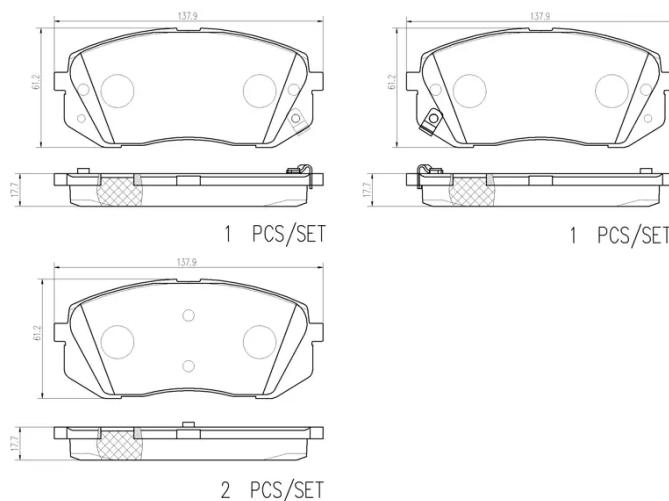
The P30093N NAO brake pad is synonymous with reliability

Brembo NAO brake pads stand out for their ultimate braking comfort, reduced friction wear and low dust mission, which makes for cleaner rims and reduced maintenance requirements. The advanced friction material in keeping with the strictest environmental standards is the main distinguishing feature of NAO compounds.

- ✓ OE-equivalent
- ✓ Brembo quality
- ✓ Safety
- ✓ Comfort
- ✓ Durability
- ✓ Dust reduction
- ✓ With accessories

### Technical specifications

EAN code <b>8020584118634</b>	Axle <b>Front</b>	Thickness <b>18 mm</b>
Width <b>138 mm</b>	Height <b>61 mm</b>	Braking system <b>Sumitomo</b>
Wear indicator <b>Acoustic</b>	WVA number <b>25205,24501,25206</b>	Accessories <b>With brake caliper bolts</b> <b>With accessories</b> <b>With anti-squeal shim</b>



COMPATIBLE VEHICLES

## COMPATIBLE OE PART NUMBERS

58101C2A10 HYUNDAI

---

58101D4A20 HYUNDAI

---

58101D7A00 HYUNDAI

---

58101E5A10 HYUNDAI

---

58101E6A10 HYUNDAI

---

58101G3A10 HYUNDAI

---

58101J3A10 HYUNDAI

---

58101J9A10 HYUNDAI

---

58101J9A60 HYUNDAI

---

58101K4A10 HYUNDAI

---

581011DA21 KIA

---

58101A8A15 KIA

---

58101B2A30 KIA

---

58101D4A15 KIA

---

58101D4A25 KIA

---

58101D5A10 KIA

---

58101D7A00 KIA

---

58101D7A60 KIA

---

58101D7A70 KIA

---

58101E4A50 KIA

---

58101J7A30 KIA

---

58101J9A65 KIA

---