



BRAKE PAD PRIME CERAMIC P50003N

The P50003N NAO brake pad is synonymous with reliability

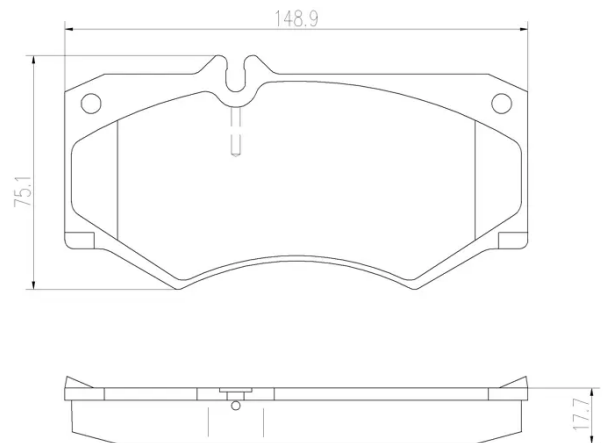
Brembo NAO brake pads stand out for their ultimate braking comfort, reduced friction wear and low dust mission, which makes for cleaner rims and reduced maintenance requirements. The advanced friction material in keeping with the strictest environmental standards is the main distinguishing feature of NAO compounds.

- ✓ OE-equivalent
- ✓ Brembo quality
- ✓ Safety
- ✓ Comfort
- ✓ Durability
- ✓ Dust reduction
- ✓ With accessories



Technical specifications

EAN code 8020584083451	Axle Front	Thickness 18 mm
Width 149 mm	Height 75 mm	Braking system Perrot
Wear indicator Prepared for wear indicator	WVA number 20784	Accessories With anti-squeal shim



4 PCS/SET

COMPATIBLE VEHICLES