

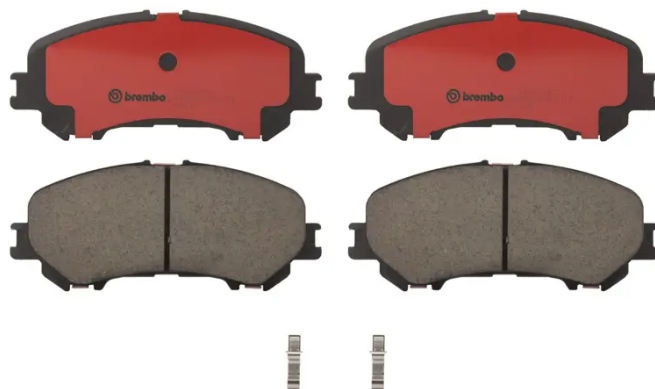


# BRAKE PAD PRIME CERAMIC P56100N

The P56100N NAO brake pad is synonymous with reliability

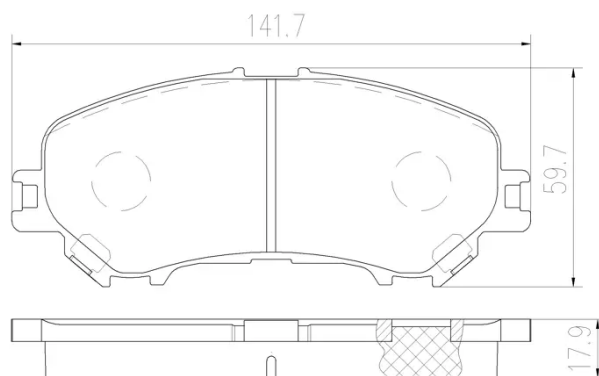
Brembo NAO brake pads stand out for their ultimate braking comfort, reduced friction wear and low dust mission, which makes for cleaner rims and reduced maintenance requirements. The advanced friction material in keeping with the strictest environmental standards is the main distinguishing feature of NAO compounds.

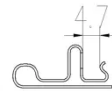
- ✓ OE-equivalent
- ✓ Brembo quality
- ✓ Safety
- ✓ Comfort
- ✓ Durability
- ✓ Dust reduction
- ✓ With accessories



## Technical specifications

EAN code <b>8020584089200</b>	Axle <b>Front</b>	Thickness <b>18 mm</b>
Width <b>142 mm</b>	Height <b>60 mm</b>	Braking system <b>Akebono</b>
Wear indicator <b>Acoustic</b>	WVA number <b>22065</b>	Accessories <b>With anti-squeal shim</b>



4 PCS/SET  
2X 

COMPATIBLE VEHICLES

## COMPATIBLE OE PART NUMBERS

D10604BT0C NISSAN

---

D10604EA0A NISSAN

---

D10604EA0ARV NISSAN

---

D10604EA0AVA NISSAN

---

D10604BA0A NISSAN (DFAC)

---

410277562R RENAULT

---

410604EA0A RENAULT

---

410608851R RENAULT (DFAC)

---