



# BRAKE PAD

## P 09 004

The P 09 004 brake pad is synonymous with reliability

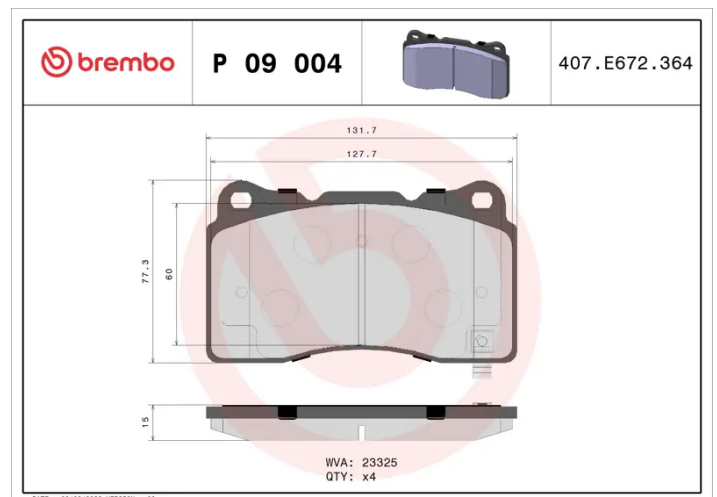
The Brembo brake pad guarantees ultimate safety when braking thanks to the use of more than 100 different compounds, designed according to the type of vehicle and use. Stopping distances reduced to a minimum, maximum driving comfort and silent operation are the most important features of Brembo materials. Brembo brake pads are supplied together with an extensive range of accessories and assembly kits for professional-standard installation.

- ✓ OE-equivalent
- ✓ Brembo quality
- ✓ ECE-R90 certificate
- ✓ Safety
- ✓ Performance
- ✓ Comfort



### Technical specifications

EAN code	Axle	Thickness
<b>8020584090381</b>	<b>Front and rear</b>	<b>15 mm</b>
Width	Height	Braking system
<b>132 mm</b>	<b>78 mm</b>	<b>Brembo</b>
Wear indicator	WVA number	
<b>Acoustic</b>	<b>23325</b>	



COMPATIBLE VEHICLES

## COMPATIBLE OE PART NUMBERS

89047725 CADILLAC

---

00K68232820AA CHRYSLER

---

68232820AA CHRYSLER

---

682328020AA DODGE

---

7R3Z2001A FORD USA

---

BRF1436 FORD USA

---

DR332001CC FORD USA

---

DR3Z2001A FORD USA

---

DR3Z2001C FORD USA

---

45022TGHA12 HONDA

---

45022TV8E01 HONDA

---

105506600B TESLA

---

105506600C TESLA

---

106833000A TESLA

---

106833000B TESLA

---

106833000C TESLA

---