



BRAKE PAD

P 24 018

The P 24 018 brake pad is synonymous with reliability



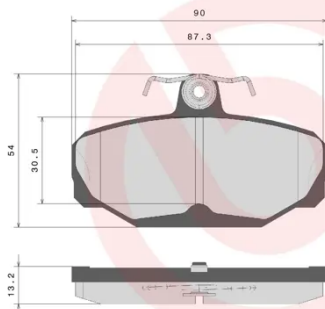
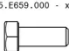
The Brembo brake pad guarantees ultimate safety when braking thanks to the use of more than 100 different compounds, designed according to the type of vehicle and use. Stopping distances reduced to a minimum, maximum driving comfort and silent operation are the most important features of Brembo materials. Brembo brake pads are supplied together with an extensive range of accessories and assembly kits for professional-standard installation.

- ✓ OE-equivalent
- ✓ Brembo quality
- ✓ ECE-R90 certificate
- ✓ Safety
- ✓ Performance
- ✓ Comfort
- ✓ With accessories



Technical specifications

| | | |
|----------------------------------|----------------------------|---|
| EAN code 8020584051900 | Axle Rear | Thickness 14 mm |
| Width 90 mm | Height 54 mm | Braking system Lucas |
| Wear indicator Without | WVA number 20981 | Accessories With anti-squeal shim With brake caliper bolts With accessories |

| | | | |
|--|-----------------|---|---|
|  | P 24 018 |  | 407.E672.319 |
|  | | | SCREW M8x1,25x21 05.E659.000 - x2  |
| WVA: 20981 QTY: x4 | | | |
| <small>DATE : 09/09/2022 VERSION : 00</small> | | | |

COMPATIBLE VEHICLES

COMPATIBLE OE PART NUMBERS

1111281 FORD

1543375 FORD

1637872 FORD

1638880 FORD

1648236 FORD

1652206 FORD

1682360 FORD

6141150 FORD

6162338 FORD

6785599 FORD

85GB2M008BB FORD

85GB2M008BC FORD

85GB2M008BD FORD

87GB2M008BA FORD

87GX2M008BA FORD

87GX2M008BB FORD

AV619T540BC FORD

ME87GX2M008BB FORD

V85GB2M008BA FORD

V86BB2M008AA FORD

V92AB2M008AA FORD
