



BRAKE PAD

P 30 074E

The P 30 074E brake pad is synonymous with reliability

The Brembo brake pad guarantees ultimate safety when braking thanks to the use of more than 100 different compounds, designed according to the type of vehicle and use. Stopping distances reduced to a minimum, maximum driving comfort and silent operation are the most important features of Brembo materials. Brembo brake pads are supplied together with an extensive range of accessories and assembly kits for professional-standard installation.

- ✓ OE-equivalent
- ✓ Brembo quality
- ✓ ECE-R90 certificate
- ✓ Safety
- ✓ Performance
- ✓ Comfort

Technical specifications

EAN code
8020584123270

Axle
Rear

Thickness
15 mm

Width
107 mm

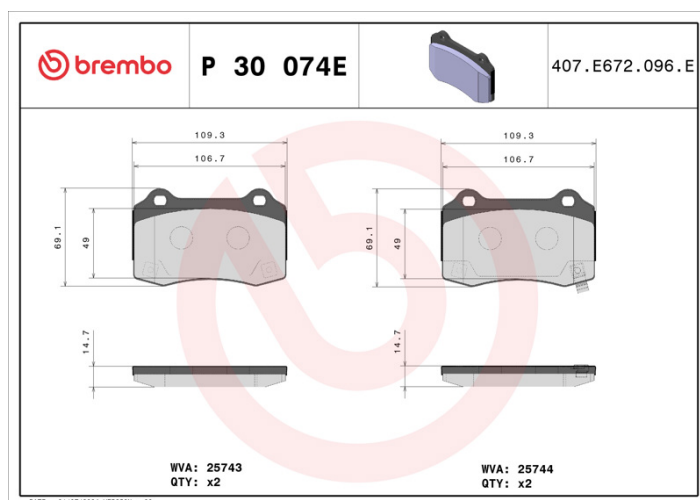
Height
69 mm

Braking system
Brembo

Wear indicator
Acoustic

WVA number
25743,25744

Accessories
With anti-squeal shim



COMPATIBLE VEHICLES

COMPATIBLE OE PART NUMBERS

105506800B	TESLA
------------	-------

106833100A	TESLA
------------	-------

106833100B	TESLA
------------	-------

106833100C	TESLA
------------	-------
