



BRAKE PAD

P 30 096

The P 30 096 brake pad is synonymous with reliability

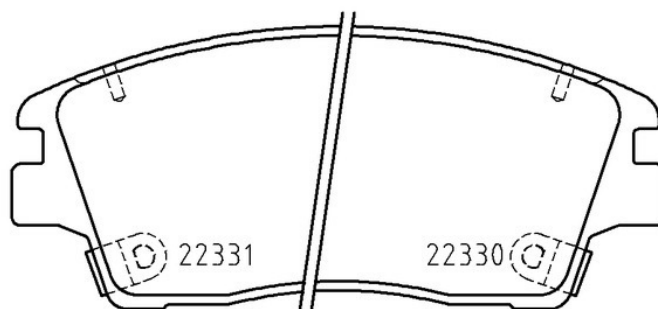
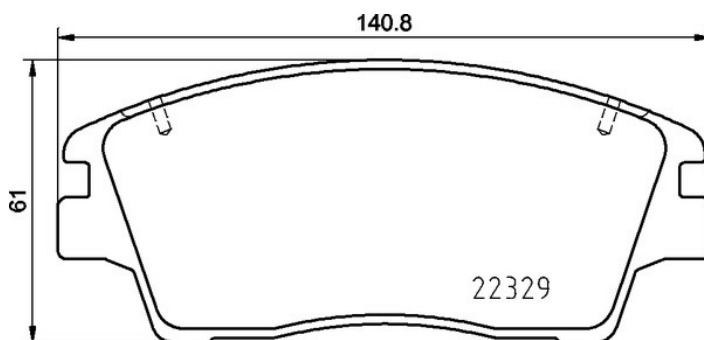
The Brembo brake pad guarantees ultimate safety when braking thanks to the use of more than 100 different compounds, designed according to the type of vehicle and use. Stopping distances reduced to a minimum, maximum driving comfort and silent operation are the most important features of Brembo materials. Brembo brake pads are supplied together with an extensive range of accessories and assembly kits for professional-standard installation.



- ✓ OE-equivalent
- ✓ Brembo quality
- ✓ ECE-R90 certificate
- ✓ Safety
- ✓ Performance
- ✓ Comfort
- ✓ With accessories

Technical specifications

EAN code 8020584068465	Axle Front	Thickness 18 mm
Width 141 mm	Height 61 mm	Braking system Akebono
Wear indicator Acoustic	WVA number 22330,22329,22331	Accessories With accessories



COMPATIBLE OE PART NUMBERS

58101D3A00	HYUNDAI
------------	---------

58101D3A10	HYUNDAI
------------	---------

58101D3A11	HYUNDAI
------------	---------

58101D7A10	HYUNDAI
------------	---------

58101D9A00	HYUNDAI
------------	---------

58101F2A50	HYUNDAI
------------	---------

58101D3A10	KIA
------------	-----

58101D3A11	KIA
------------	-----

58101D7A10	KIA
------------	-----

58101D9A00	KIA
------------	-----