



# BRAKE PAD

## P 50 114

The P 50 114 brake pad is synonymous with reliability

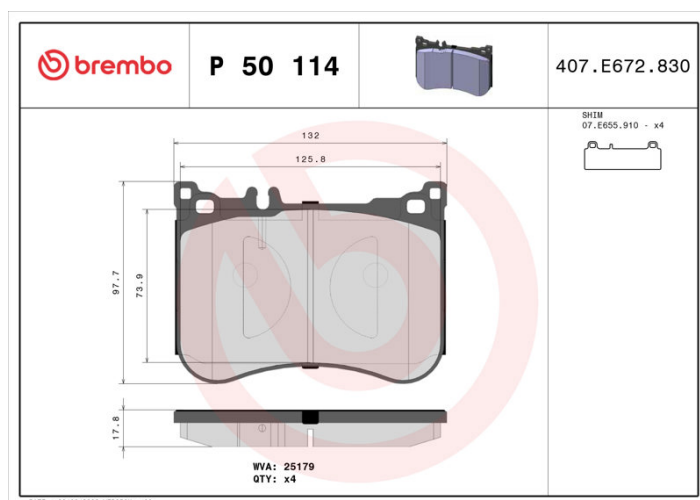
The Brembo brake pad guarantees ultimate safety when braking thanks to the use of more than 100 different compounds, designed according to the type of vehicle and use. Stopping distances reduced to a minimum, maximum driving comfort and silent operation are the most important features of Brembo materials. Brembo brake pads are supplied together with an extensive range of accessories and assembly kits for professional-standard installation.

- ✓ OE-equivalent
- ✓ Brembo quality
- ✓ ECE-R90 certificate
- ✓ Safety
- ✓ Performance
- ✓ Comfort



### Technical specifications

EAN code	Axle	Thickness
<b>8020584109915</b>	<b>Front</b>	<b>18 mm</b>
Width	Height	Braking system
<b>132 mm</b>	<b>98 mm</b>	<b>Brembo</b>
Wear indicator	WVA number	
<b>Prepared for wear indicator</b>	<b>25179</b>	



COMPATIBLE VEHICLES

## COMPATIBLE OE PART NUMBERS

0004201006 MERCEDES-BENZ

---

0054206420 MERCEDES-BENZ

---

0064200820 MERCEDES-BENZ

---

0064208820 MERCEDES-BENZ

---

A0004201006 MERCEDES-BENZ

---