



BRAKE PAD

P 50 118

The P 50 118 brake pad is synonymous with reliability

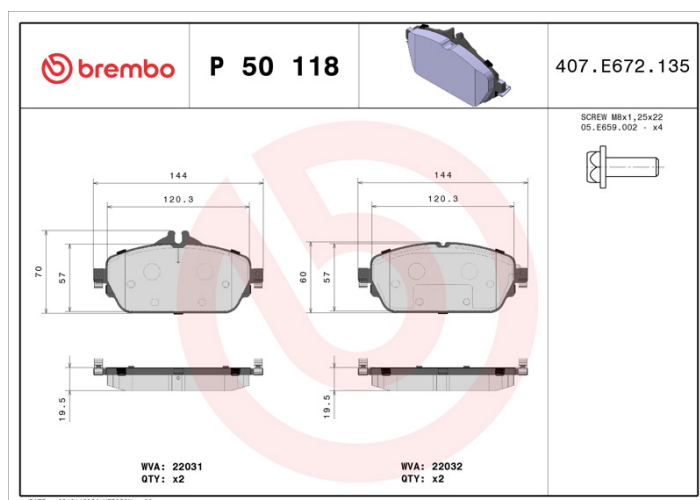
The Brembo brake pad guarantees ultimate safety when braking thanks to the use of more than 100 different compounds, designed according to the type of vehicle and use. Stopping distances reduced to a minimum, maximum driving comfort and silent operation are the most important features of Brembo materials. Brembo brake pads are supplied together with an extensive range of accessories and assembly kits for professional-standard installation.

- ✓ OE-equivalent
- ✓ Brembo quality
- ✓ ECE-R90 certificate
- ✓ Safety
- ✓ Performance
- ✓ Comfort



Technical specifications

EAN code 8020584112465	Axle Front	Thickness 19 mm
Width 144 mm	Height 60 mm	Braking system TRW
Wear indicator Prepared for wear indicator	WVA number 22032,22031	Accessories With brake caliper bolts



COMPATIBLE VEHICLES

COMPATIBLE OE PART NUMBERS

0004208700	MERCEDES-BENZ
------------	---------------

0084203620	MERCEDES-BENZ
------------	---------------

A0004208700	MERCEDES-BENZ
-------------	---------------

A0084203620	MERCEDES-BENZ
-------------	---------------
