



# BRAKE PAD

## P 50 121

The P 50 121 brake pad is synonymous with reliability

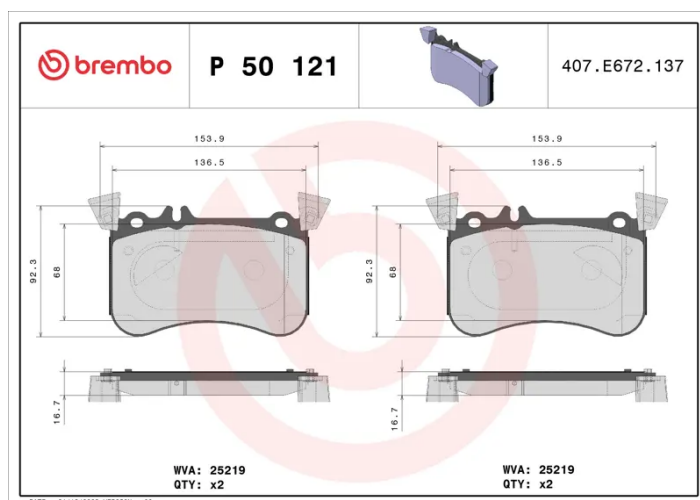
The Brembo brake pad guarantees ultimate safety when braking thanks to the use of more than 100 different compounds, designed according to the type of vehicle and use. Stopping distances reduced to a minimum, maximum driving comfort and silent operation are the most important features of Brembo materials. Brembo brake pads are supplied together with an extensive range of accessories and assembly kits for professional-standard installation.

- ✓ OE-equivalent
- ✓ Brembo quality
- ✓ ECE-R90 certificate
- ✓ Safety
- ✓ Performance
- ✓ Comfort



### Technical specifications

EAN code <b>8020584112649</b>	Axle <b>Front</b>	Thickness <b>17 mm</b>
Width <b>154 mm</b>	Height <b>92 mm</b>	Braking system <b>Brembo</b>
Wear indicator <b>Prepared for wear indicator</b>	WVA number <b>25219</b>	Accessories <b>With counterweights</b>



**COMPATIBLE VEHICLES**

## COMPATIBLE OE PART NUMBERS

0004204100 MERCEDES-BENZ

---

0004206804 MERCEDES-BENZ

---

0004207800 MERCEDES-BENZ

---

0074201220 MERCEDES-BENZ

---

0074203120 MERCEDES-BENZ

---

0084203220 MERCEDES-BENZ

---

A0004204100 MERCEDES-BENZ

---

A0004206804 MERCEDES-BENZ

---

A0004207800 MERCEDES-BENZ

---

A0074201220 MERCEDES-BENZ

---

A0074203120 MERCEDES-BENZ

---

A0084203220 MERCEDES-BENZ

---