



BRAKE PAD XTRA P 85 125X

The P 85 125X Xtra brake pad is synonymous with reliability

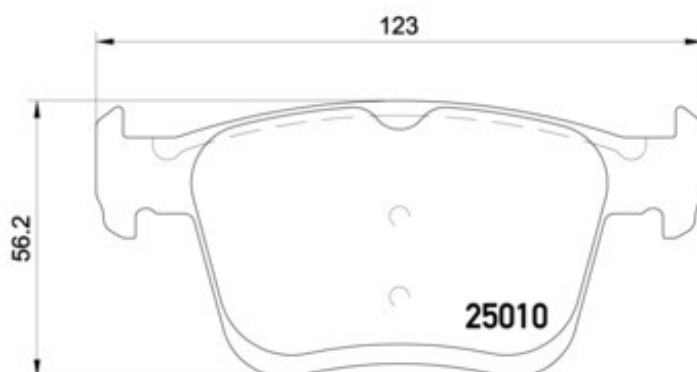
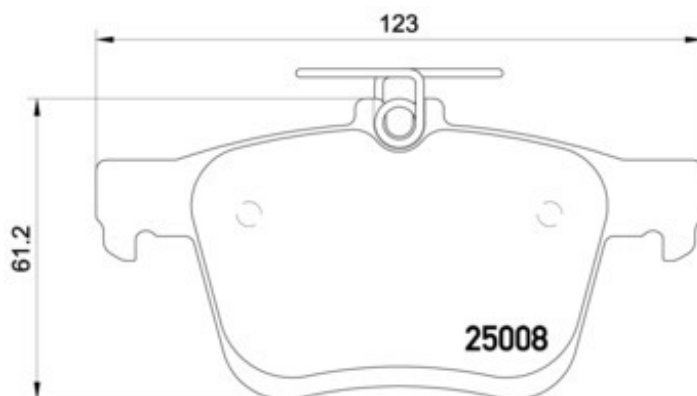
Brembo Xtra brake pads, developed to enhance the advantages of the Xtra and Max discs, are made using the special BRM X L01 compound which consists of more than 30 different components. Compared with the compound used for original-equivalent pads, the new solution assures a higher friction coefficient, which translates to more precise and stable braking, at both high and low temperatures. All this makes for greater driving comfort and improved pedal modularity, without compromising the product's mileage output.



- ✓ OE-equivalent
- ✓ Brembo quality
- ✓ ECE-R90 certificate
- ✓ Safety
- ✓ Performance
- ✓ Sports driving

Technical specifications

EAN code	Axle	Thickness
8020584069400	Rear	16 mm
Width	Height	Braking system
123 mm	56 mm	Teves
Wear indicator	WVA number	
Without	25008,25010	



COMPATIBLE VEHICLES

COMPATIBLE OE PART NUMBERS

5Q0698451AD	AUDI
5Q0698451C	AUDI
5Q0698451N	AUDI
5Q0698451Q	AUDI
8Q0698451N	AUDI
8V0698451	AUDI
8V0698451B	AUDI
8V0698451F	AUDI
JZW698451AA	AUDI
L5QD698451A	AUDI
L5Q0698451C	AUDI (FAW)
L5QD698451A	AUDI (FAW)
L8V0698451	AUDI (FAW)
10208319	MG (SAIC)
10588655	ROEWE (SAIC)
10760386	ROEWE (SAIC)
11070562	ROEWE (SAIC)
5Q0698451AD	SEAT
5Q0698451C	SEAT
5Q0698451N	SEAT
5Q0698451Q	SEAT
8V0698451	SEAT
8V0698451B	SEAT
8V0698451F	SEAT
JZW698451AA	SEAT
5Q0698451AD	SKODA
5Q0698451C	SKODA
5Q0698451N	SKODA
5Q0698451Q	SKODA
8V0698451	SKODA
8V0698451B	SKODA
8V0698451F	SKODA
JZW698451AA	SKODA
5QD698451D	SKODA (SVW)
5QD698451H	SKODA (SVW)
5Q0698451AD	VW
5Q0698451AF	VW
5Q0698451AK	VW
5Q0698451AP	VW
5Q0698451C	VW
5Q0698451N	VW
5Q0698451Q	VW
5Q0698451R	VW
8V0698451	VW
8V0698451B	VW

8V0698451F	VW
8V0698491B	VW
JZW698451AA	VW
JZW698601BF	VW
5QD698451A	VW (FAW)
L5QD698451A	VW (FAW)
L8V0698451	VW (FAW)
5QD698451A	VW (SVW)
5QD698451E	VW (SVW)
5QD698451H	VW (SVW)