



# BRAKE PAD

## P 86 019

The P 86 019 brake pad is synonymous with reliability

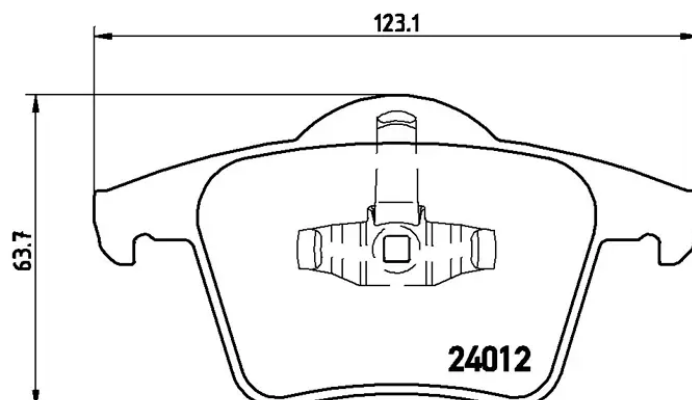
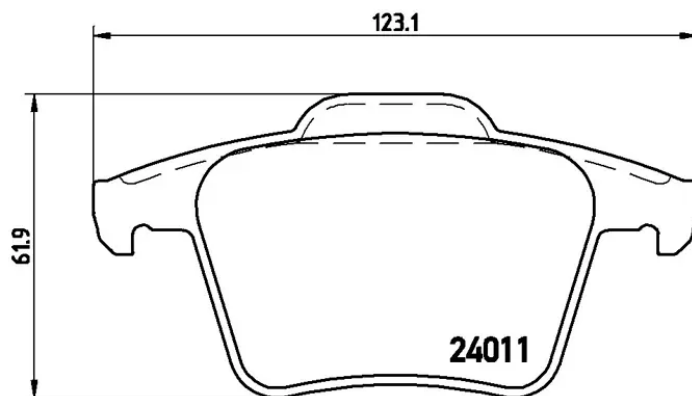
The Brembo brake pad guarantees ultimate safety when braking thanks to the use of more than 100 different compounds, designed according to the type of vehicle and use. Stopping distances reduced to a minimum, maximum driving comfort and silent operation are the most important features of Brembo materials. Brembo brake pads are supplied together with an extensive range of accessories and assembly kits for professional-standard installation.

- ✓ OE-equivalent
- ✓ Brembo quality
- ✓ ECE-R90 certificate
- ✓ Safety
- ✓ Performance
- ✓ Comfort
- ✓ With accessories



### Technical specifications

EAN code <b>8020584059074</b>	Axle <b>Rear</b>	Thickness <b>18 mm</b>
Width <b>123 mm</b>	Height <b>62 mm</b>	Braking system <b>Teves</b>
Wear indicator <b>Without</b>	WVA number <b>24012,24011</b>	Accessories <b>With accessories With piston clip With anti-squeal shim</b>



## COMPATIBLE OE PART NUMBERS

274330 VOLVO

---

2743300 VOLVO

---

274512 VOLVO

---

274528 VOLVO

---

2745280 VOLVO

---

30793093 VOLVO

---

307930930 VOLVO

---