



# BRAKE DISC

## 08.8065.14

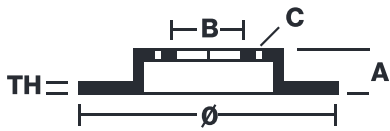
The **08.8065.14** brake disc is synonymous with reliability

The Brembo brake disc is fully interchangeable with an Original Equipment brake disc. The control of the entire production cycle allows Brembo to offer brake discs with outstanding performance levels, reliability, durability and comfort in all conditions of use. All Brembo brake discs are accompanied by the ECE-R90 homologation.

- ✓ OE-equivalent
- ✓ Brembo quality
- ✓ ECE-R90 certificate
- ✓ Safety



### Technical specifications



EAN code  
**8020584015575**

Axle  
**Rear**

Diameter  $\varnothing$   
**278** mm

Thickness (TH)  
**9** mm

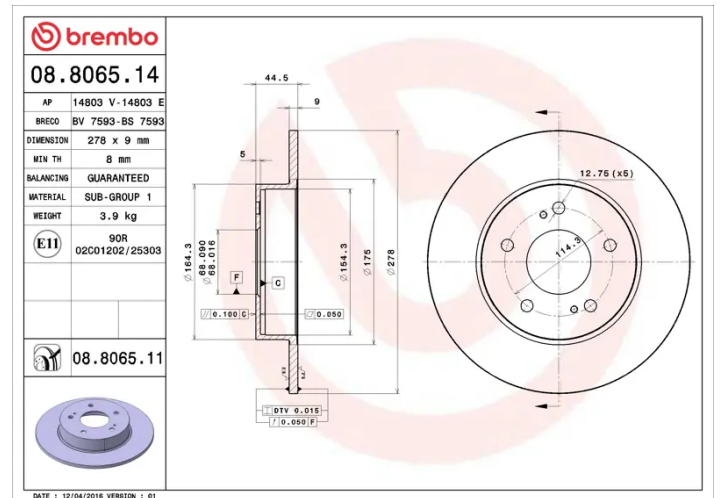
Height (A)  
**45** mm

Number of holes (C)  
**5**

Brake disc type  
**Solid**

Centering (B)  
**68** mm

Min. thickness  
**8** mm



COMPATIBLE VEHICLES

## COMPATIBLE OE PART NUMBERS

4320631U12	INFINITI
------------	----------

432064U001	INFINITI
------------	----------

432062Y502	NISSAN
------------	--------

432062Y503	NISSAN
------------	--------

4320631412	NISSAN
------------	--------

4320631U00	NISSAN
------------	--------

4320631U02	NISSAN
------------	--------

4320631U10	NISSAN
------------	--------

4320631U12	NISSAN
------------	--------

432064U001	NISSAN
------------	--------

43206WA201	NISSAN
------------	--------