



BRAKE DISC

08.9488.10

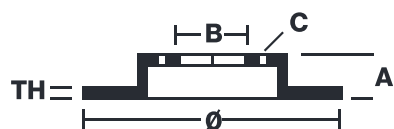
The **08.9488.10** brake disc is synonymous with reliability

The Brembo brake disc is fully interchangeable with an Original Equipment brake disc. The control of the entire production cycle allows Brembo to offer brake discs with outstanding performance levels, reliability, durability and comfort in all conditions of use. All Brembo brake discs are accompanied by the ECE-R90 homologation.

- ✓ OE-equivalent
- ✓ Brembo quality
- ✓ ECE-R90 certificate
- ✓ Safety
- ✓ Fastening screws



Technical specifications



EAN code
8020584948811

Axle
Rear

Diameter Ø
256 mm

Thickness (TH)
12 mm

Height (A)
48 mm

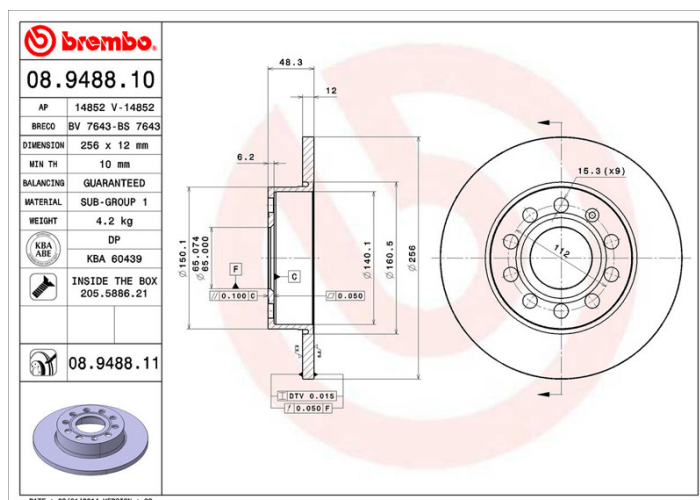
Number of holes (C)
5

Brake disc type
Solid

Centering (B)
65 mm

Min. thickness
10 mm

Tightening torque
120 Nm



COMPATIBLE VEHICLES

COMPATIBLE OE PART NUMBERS

1K0615601AC AUDI

1K0615601AJ AUDI

1K0615601L AUDI

1K0615601AC SEAT

1K0615601AJ SEAT

1K0615601L SEAT

1K0615601AC SKODA

1K0615601AJ SKODA

1K0615601L SKODA

1KD615601 SKODA (SVW)

1KD615601B SKODA (SVW)

1K0615601AC VW

1K0615601AJ VW

1K0615601L VW

L1KD615601A VW (FAW)

L1KD615601B VW (FAW)

1K0615601L VW (SVW)

1KD615601 VW (SVW)

1KD615601B VW (SVW)
