



# BRAKE DISC

## 08.A729.17

The **08.A729.17** brake disc is synonymous with reliability

The Brembo brake disc is fully interchangeable with an Original Equipment brake disc. The control of the entire production cycle allows Brembo to offer brake discs with outstanding performance levels, reliability, durability and comfort in all conditions of use. All Brembo brake discs are accompanied by the ECE-R90 homologation.

- ✓ OE-equivalent
- ✓ Brembo quality
- ✓ ECE-R90 certificate
- ✓ Safety
- ✓ Bearing kit



### Technical specifications



EAN code  
**8020584025321**

Axle  
**Rear**

Diameter  $\varnothing$   
**268 mm**

Thickness (TH)  
**12 mm**

Height (A)  
**73 mm**

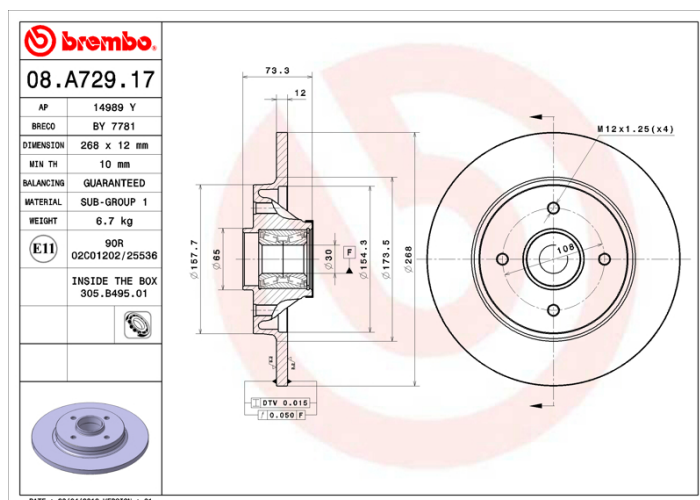
Number of holes (C)  
**4**

Brake disc type  
**Solid**

Centering (B)  
**30 mm**

Min. thickness  
**10 mm**

Tightening torque  
**90 Nm**



COMPATIBLE VEHICLES

## COMPATIBLE OE PART NUMBERS

1611840880	CITROËN
1619238880	CITROËN
424945	CITROËN
424946	CITROËN
1611840880	DS
1619238880	DS
424945	DS
424946	DS
1613385880	DS (CAPSA)
424946	DS (CAPSA)
1611840880	PEUGEOT
1619238880	PEUGEOT
424945	PEUGEOT
424946	PEUGEOT
424946	PEUGEOT (DF-PSA)