



# BRAKE DISC PAINTED

## 09.9468.11

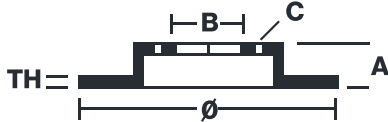
The 09.9468.11 painted brake disc is synonymous with reliability

The Brembo brake disc with special UV paint treatment guarantees superior corrosion resistance for the product, thanks to the protective coating on the outer edges and on the disc hub. The UV paint not only gives the disc a clean, shiny appearance but is also beneficial for the environment as the water-based UV paint treatment does not require the use of chemical solvents and is a low energy consumption process.

- ✓ OE-equivalent
- ✓ Brembo quality
- ✓ ECE-R90 certificate
- ✓ Safety
- ✓ Anti-corrosion

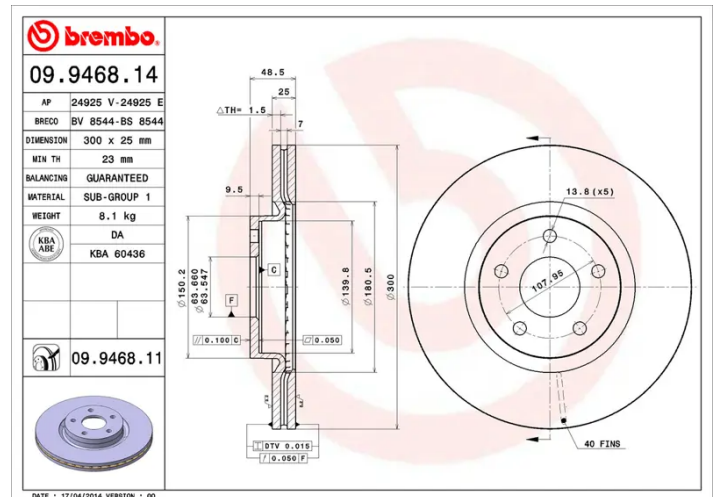


### Technical specifications



EAN code <b>8020584015735</b>	Axle <b>Front</b>	Diameter Ø <b>300 mm</b>
Thickness (TH) <b>25 mm</b>	Height (A) <b>49 mm</b>	Number of holes (C) <b>5</b>
Brake disc type <b>Ventilated</b>	Centering (B) <b>64 mm</b>	Min. thickness <b>23 mm</b>

Tightening torque  
**100 Nm**



**COMPATIBLE VEHICLES**

## COMPATIBLE OE PART NUMBERS

1223664	FORD
---------	------

1223666	FORD
---------	------

1253964	FORD
---------	------

1253965	FORD
---------	------

1323560	FORD
---------	------

1373370	FORD
---------	------

1469083	FORD
---------	------

1500152	FORD
---------	------

1501059	FORD
---------	------

1520297	FORD
---------	------

3M512C375B1D	FORD
--------------	------

3M512C375BA	FORD
-------------	------

3M512C375BB	FORD
-------------	------

3M512C375BC	FORD
-------------	------

3M512C375BD	FORD
-------------	------

7M511125BA	FORD
------------	------

7M511125BB	FORD
------------	------

DV611125AA	FORD
------------	------

274510	VOLVO
--------	-------

2745100	VOLVO
---------	-------

312627190	VOLVO
-----------	-------

313624120	VOLVO
-----------	-------

314718190	VOLVO
-----------	-------