



BRAKE DISC

09.A905.10

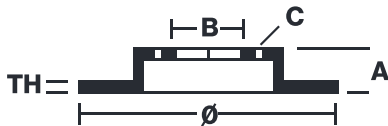
The **09.A905.10** brake disc is synonymous with reliability

The Brembo brake disc is fully interchangeable with an Original Equipment brake disc. The control of the entire production cycle allows Brembo to offer brake discs with outstanding performance levels, reliability, durability and comfort in all conditions of use. All Brembo brake discs are accompanied by the ECE-R90 homologation.

- ✓ OE-equivalent
- ✓ Brembo quality
- ✓ ECE-R90 certificate
- ✓ Safety
- ✓ High carbon
- ✓ PVT ventilation



Technical specifications



EAN code
8020584033524

Axle
Front

Diameter Ø
278 mm

Thickness (TH)
25 mm

Height (A)
49 mm

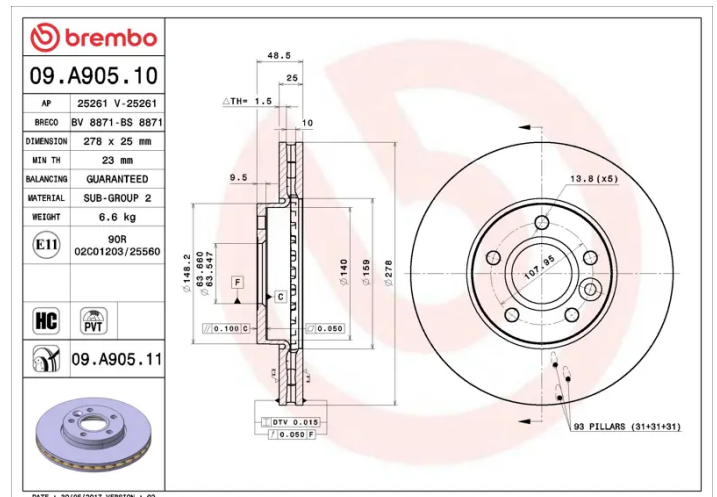
Number of holes (C)
5

Brake disc type
Ventilated

Centering (B)
64 mm

Min. thickness
23 mm

Tightening torque
100 Nm



COMPATIBLE VEHICLES

COMPATIBLE OE PART NUMBERS

1686722	FORD
1686723	FORD
1790221	FORD
AV611125CA	FORD
AV611125DA	FORD
AV611125DB	FORD
BV611125AA	FORD
BV6Z1125A	FORD
BV6Z1125E	FORD
1759454	FORD (CHANGAN)
1843728	FORD (CHANGAN)
BV611125AA	FORD (CHANGAN)
BV611125EA	FORD (CHANGAN)
BV611125EB	FORD (CHANGAN)
BV611125AA	FORD ASIA & OCEANIA
31341642	VOLVO
31362411	VOLVO
313624110	VOLVO
31381374	VOLVO
313813740	VOLVO
31362411	VOLVO (CHANGAN)