



# DRUM

## 14.A695.10

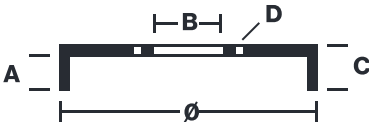
The **14.A695.10** drum is synonymous with reliability

Brembo has developed several design solutions for drum brakes which combine multiple materials to reduce the overall weight. The most popular range of lamellar graphite cast iron drums is supplemented by cast iron drums with a steel sprocket flange and aluminium drums, whereby only the inner part of the drum on which the shoes operate are made of lamellar cast iron, namely the brake band. Additionally drums with built-in bearing kit and hub are added to this range.

- ✓ OE-equivalent
- ✓ Brembo quality
- ✓ Safety
- ✓ Durability



### Technical specifications



EAN code  
**8020584017128**

Axle  
**Rear**

Diameter  
**228 mm**

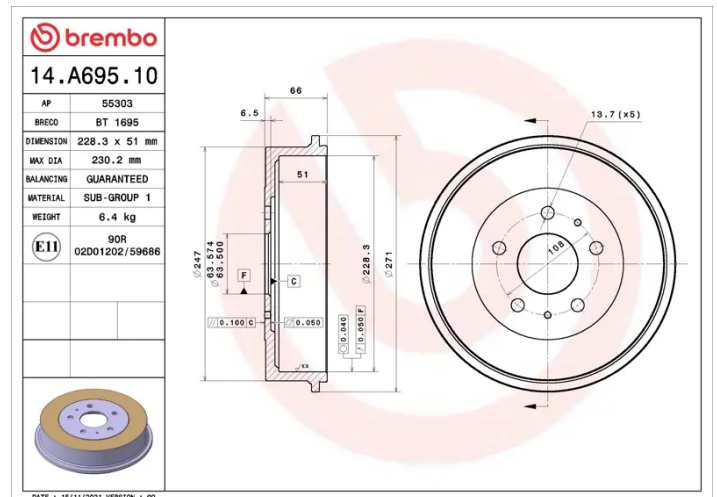
Width  
**51 mm**

Height  
**66**

Number of holes  
**5**

Centering  
**63,5 mm**

Max diameter  
**230,2 mm**



COMPATIBLE VEHICLES

## COMPATIBLE OE PART NUMBERS

1327834	FORD
---------	------

1458826	FORD
---------	------

1710330	FORD
---------	------

1743443	FORD
---------	------

1781451	FORD
---------	------

2005461	FORD
---------	------

3M511126AC	FORD
------------	------

3M511126BA	FORD
------------	------

3M511126BB	FORD
------------	------

BV611126BA	FORD
------------	------

BV611126BB	FORD
------------	------

BV611126BC	FORD
------------	------