



DRUM

14.E312.60

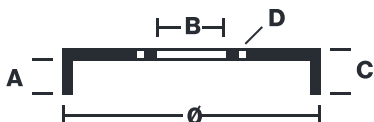
The 14.E312.60 drum is synonymous with reliability

Brembo has developed several design solutions for drum brakes which combine multiple materials to reduce the overall weight. The most popular range of lamellar graphite cast iron drums is supplemented by cast iron drums with a steel sprocket flange and aluminium drums, whereby only the inner part of the drum on which the shoes operate are made of lamellar cast iron, namely the brake band. Additionally drums with built-in bearing kit and hub are added to this range.



- ✓ OE-equivalent
- ✓ Brembo quality
- ✓ Safety
- ✓ Durability

Technical specifications



EAN code
8020584325773

Axle
Rear

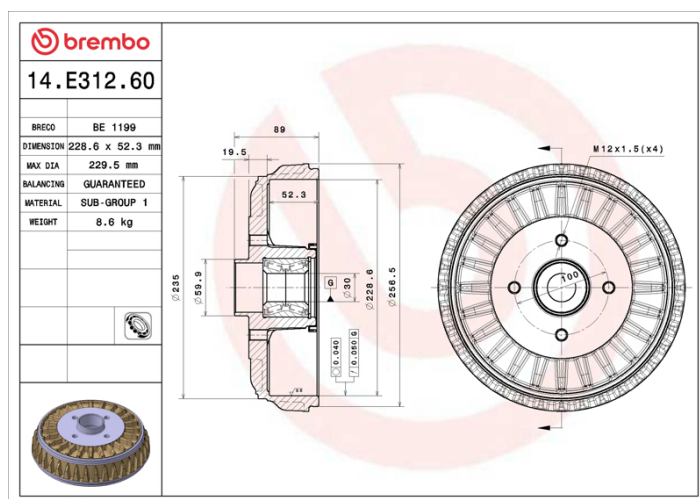
Diameter
228,6 mm

Width
52,3 mm

Height
89

Number of holes
4

Max diameter
229,5 mm



COMPATIBLE VEHICLES

COMPATIBLE OE PART NUMBERS

432000505R DACIA

432001324R DACIA

432001501R DACIA

432004197R DACIA

432005573R DACIA

432007320R DACIA

6001550813 DACIA

432000505R LADA

432001324R LADA

432001501R LADA

432004197R LADA

432005573R LADA

432007212R RENAULT

432007320R RENAULT

432009234R RENAULT

432009373R RENAULT

6001550813 RENAULT

8200381151 RENAULT
