



# BRAKE PAD PRIME CERAMIC P06097N

The P06097N NAO brake pad is  
synonymous with reliability

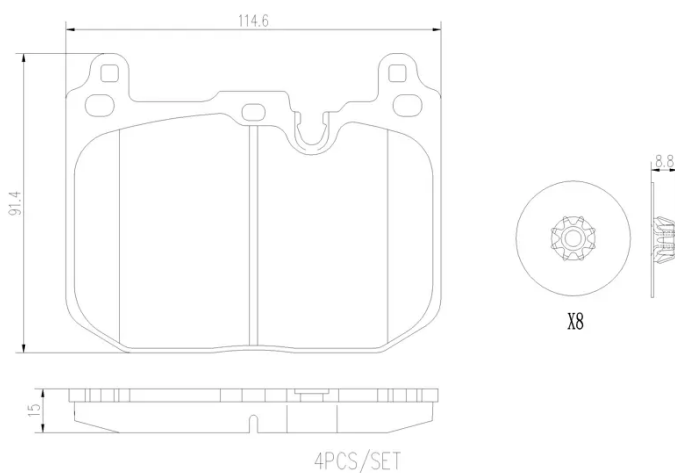
Brembo NAO brake pads stand out for their ultimate braking comfort, reduced friction wear and low dust mission, which makes for cleaner rims and reduced maintenance requirements. The advanced friction material in keeping with the strictest environmental standards is the main distinguishing feature of NAO compounds.

- ✓ OE-equivalent
- ✓ Brembo quality
- ✓ Safety
- ✓ Comfort
- ✓ Durability
- ✓ Dust reduction
- ✓ With accessories



## Technical specifications

EAN code <b>8020584087633</b>	Axle <b>Front</b>	Thickness <b>14 mm</b>
Width <b>115 mm</b>	Height <b>91 mm</b>	Braking system <b>Brembo</b>
Wear indicator <b>Prepared for wear indicator</b>	WVA number <b>22344</b>	Accessories <b>With anti-squeal shim</b>



COMPATIBLE VEHICLES

## COMPATIBLE OE PART NUMBERS

34106860020	MINI
-------------	------

---

34106884224	MINI
-------------	------

---

6860020	MINI
---------	------

---

6884224	MINI
---------	------

---

6889266	MINI
---------	------

---