



BRAKE PAD PRIME CERAMIC P06109N

The P06109N NAO brake pad is synonymous with reliability

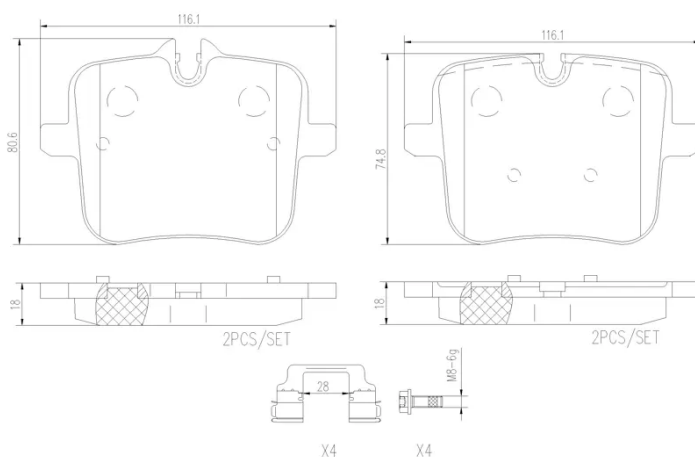
Brembo NAO brake pads stand out for their ultimate braking comfort, reduced friction wear and low dust mission, which makes for cleaner rims and reduced maintenance requirements. The advanced friction material in keeping with the strictest environmental standards is the main distinguishing feature of NAO compounds.

- ✓ OE-equivalent
- ✓ Brembo quality
- ✓ Safety
- ✓ Comfort
- ✓ Durability
- ✓ Dust reduction
- ✓ With accessories



Technical specifications

EAN code 8020584117781	Axle Rear	Thickness 18 mm
Width 116 mm	Height 75 mm	Braking system TRW
Wear indicator Prepared for wear indicator	WVA number 22039,22040	Accessories With accessories With anti-squeal shim With brake caliper bolts



COMPATIBLE VEHICLES

COMPATIBLE OE PART NUMBERS

34207883269 BMW

34207883273 BMW

34208092823 BMW

34208093737 BMW

34216876905 BMW

34216885187 BMW

34216885362 BMW

34216893228 BMW

34217991043 BMW

3421799104302 BMW

34217991044 BMW

799104302 BMW
