



BRAKE PAD PRIME CERAMIC P28076N

**The P28076N NAO brake pad is
synonymous with reliability**

Brembo NAO brake pads stand out for their ultimate braking comfort, reduced friction wear and low dust mission, which makes for cleaner rims and reduced maintenance requirements. The advanced friction material in keeping with the strictest environmental standards is the main distinguishing feature of NAO compounds.

- ✓ OE-equivalent
- ✓ Brembo quality
- ✓ Safety
- ✓ Comfort
- ✓ Durability
- ✓ Dust reduction
- ✓ With accessories

Technical specifications

EAN code
8020584113646

Axle
Front

Thickness
17 mm

Width
156 mm

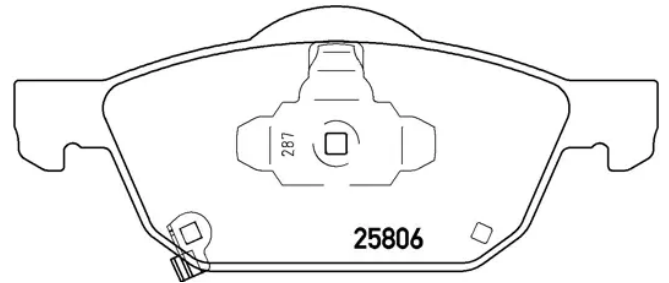
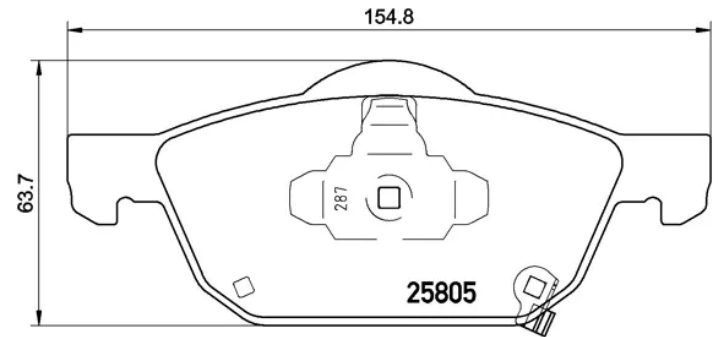
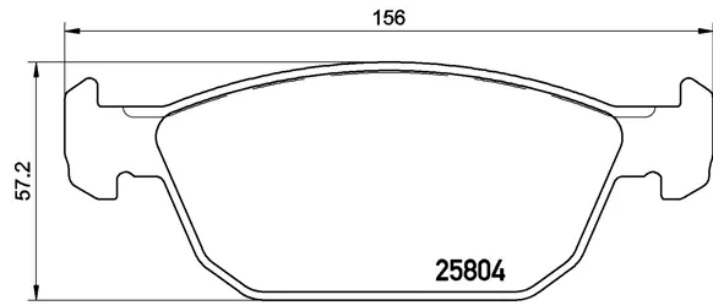
Height
57 mm

Braking system
Teves

Wear indicator
Acoustic

WVA number
25804,25806,25805

Accessories
With anti-squeal shim
With accessories
With piston clip



COMPATIBLE VEHICLES

COMPATIBLE OE PART NUMBERS

45022TGNG00	HONDA
45022TV0E00	HONDA
45022TV0E01	HONDA
45022TV0E02	HONDA
45022TV2E00	HONDA
45022TV2E01	HONDA
45022TV2E02	HONDA