



# BRAKE PAD PRIME CERAMIC P28077N

The P28077N NAO brake pad is synonymous with reliability

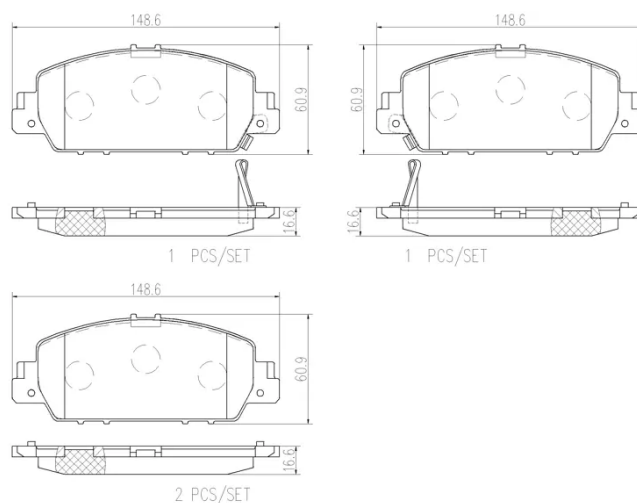
Brembo NAO brake pads stand out for their ultimate braking comfort, reduced friction wear and low dust mission, which makes for cleaner rims and reduced maintenance requirements. The advanced friction material in keeping with the strictest environmental standards is the main distinguishing feature of NAO compounds.

- ✓ OE-equivalent
- ✓ Brembo quality
- ✓ Safety
- ✓ Comfort
- ✓ Durability
- ✓ Dust reduction
- ✓ With accessories



## Technical specifications

EAN code <b>8020584081365</b>	Axle <b>Front</b>	Thickness <b>17 mm</b>
Width <b>149 mm</b>	Height <b>61 mm</b>	Braking system <b>Akebono</b>
Wear indicator <b>Acoustic</b>	WVA number <b>25792,25793,25794</b>	Accessories <b>With piston clip With anti-squeal shim With accessories</b>



COMPATIBLE VEHICLES

## COMPATIBLE OE PART NUMBERS

45022T2GA00	HONDA
45022T2GA01	HONDA
45022T2MT00	HONDA
45022T2MT01	HONDA
45022T3VA00	HONDA
45022T3VA01	HONDA
45022T3VA02	HONDA
45022T3ZA01	HONDA
45022T4NH01	HONDA
45022T6AJ00	HONDA
45022T6DH01	HONDA
45022T6MH02	HONDA
45022T7WA01	HONDA
45022T8MG00	HONDA
45022T8MG01	HONDA
45022TVAA00	HONDA
45022T4NH10	HONDA (DONGFENG)
45022T6DH10	HONDA (DONGFENG)
45022T6DH11	HONDA (DONGFENG)
45022T7WA00	HONDA (DONGFENG)
45022T2MT00	HONDA (GAC)
45022T6DH00	HONDA (GAC)