



BRAKE PAD NAO P30036N

The P30036N NAO brake pad is synonymous with reliability

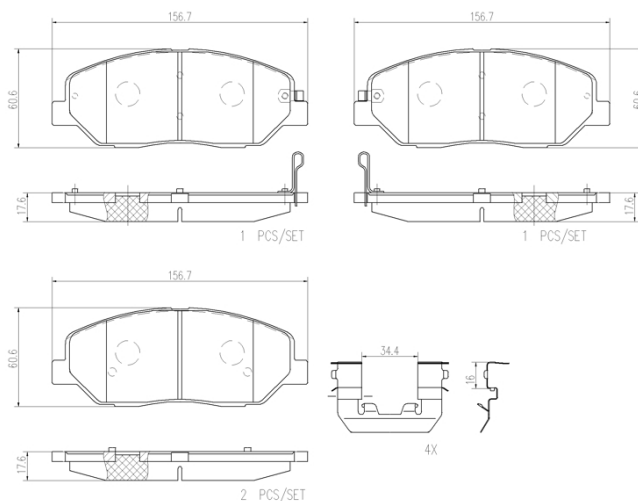
Brembo NAO brake pads stand out for their ultimate braking comfort, reduced friction wear and low dust mission, which makes for cleaner rims and reduced maintenance requirements. The advanced friction material in keeping with the strictest environmental standards is the main distinguishing feature of NAO compounds.

- ✓ OE-equivalent
- ✓ Brembo quality
- ✓ Safety
- ✓ Comfort
- ✓ Durability
- ✓ Dust reduction
- ✓ With accessories



Technical specifications

EAN code 8020584098042	Axle Front	Thickness 18 mm
Width 157 mm	Height 61 mm	Braking system Mando
Wear indicator Acoustic	WVA number 24351,24568,24569	Accessories With accessories With anti-squeal shim



COMPATIBLE VEHICLES

COMPATIBLE OE PART NUMBERS

581010WA00	HYUNDAI
------------	---------

581012BA00	HYUNDAI
------------	---------

581012BA10	HYUNDAI
------------	---------

581012PA00	HYUNDAI
------------	---------

581012WA00	HYUNDAI
------------	---------

581012WA01	HYUNDAI
------------	---------

581012WA40	HYUNDAI
------------	---------

581012WA70	HYUNDAI
------------	---------

581012WA90	HYUNDAI
------------	---------

581013MA20	HYUNDAI
------------	---------

581014DU00	HYUNDAI
------------	---------

581012BA10	HYUNDAI
------------	---------

581012PA70	HYUNDAI
------------	---------

581012BA10	KIA
------------	-----

581012JA10	KIA
------------	-----

581012JA11	KIA
------------	-----

581012JA50	KIA
------------	-----

581012PA70	KIA
------------	-----

581014DA60	KIA
------------	-----

58101C0A00	KIA (DYK)
------------	-----------

48130341A0	SSANGYONG
------------	-----------

4813036B00	SSANGYONG
------------	-----------

4813036B10	SSANGYONG
------------	-----------

48130370B0	SSANGYONG
------------	-----------

48130371B0	SSANGYONG
------------	-----------