



BRAKE PAD PRIME CERAMIC P30101N

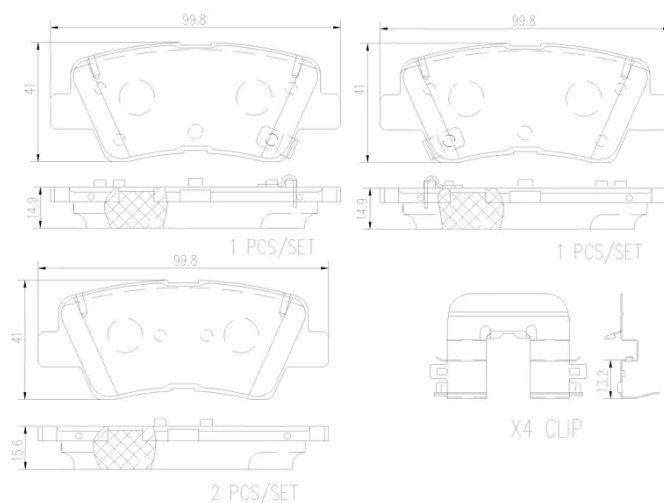
The P30101N NAO brake pad is synonymous with reliability

Brembo NAO brake pads stand out for their ultimate braking comfort, reduced friction wear and low dust mission, which makes for cleaner rims and reduced maintenance requirements. The advanced friction material in keeping with the strictest environmental standards is the main distinguishing feature of NAO compounds.

- ✓ OE-equivalent
- ✓ Brembo quality
- ✓ Safety
- ✓ Comfort
- ✓ Durability
- ✓ Dust reduction
- ✓ With accessories

Technical specifications

EAN code 8020584116715	Axle Rear	Thickness 15 mm
Width 100 mm	Height 41 mm	Braking system Akebono
Wear indicator Acoustic	WVA number 25338,25337,25339	Accessories With anti-squeal shim



COMPATIBLE VEHICLES

COMPATIBLE OE PART NUMBERS

58302B2A20	HYUNDAI
58302E4A50	HYUNDAI
58302J3A40	HYUNDAI
58302J9A30	HYUNDAI
58302K4A00	HYUNDAI
58302K4A05	HYUNDAI
58302K4A10	HYUNDAI
58302M6A30	HYUNDAI
58302AZA00	HYUNDAI (BEIJING)
58302CYA00	HYUNDAI (BEIJING)
58302B2A20	KIA
58302E4A50	KIA
58302J3A40	KIA
58302M6A30	KIA
58302M7A30	KIA
58302Q4A00	KIA