



# BRAKE PAD NAO P50022N

**The P50022N NAO brake pad is synonymous with reliability**

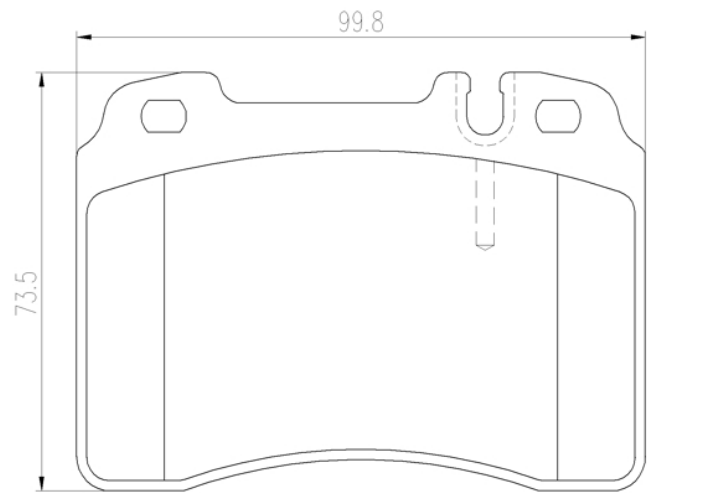
Brembo NAO brake pads stand out for their ultimate braking comfort, reduced friction wear and low dust mission, which makes for cleaner rims and reduced maintenance requirements. The advanced friction material in keeping with the strictest environmental standards is the main distinguishing feature of NAO compounds.

- ✓ OE-equivalent
- ✓ Brembo quality
- ✓ Safety
- ✓ Comfort
- ✓ Durability
- ✓ Dust reduction
- ✓ With accessories



## Technical specifications

EAN code	Axle	Thickness
<b>8020584080658</b>	<b>Front</b>	<b>16 mm</b>
Width	Height	Braking system
<b>100 mm</b>	<b>74 mm</b>	<b>Teves</b>
Wear indicator	WVA number	Accessories
<b>Prepared for wear indicator</b>	<b>21153</b>	<b>With anti-squeal shim</b>



4 PCS/SET

COMPATIBLE VEHICLES

## COMPATIBLE OE PART NUMBERS

0024201920	MERCEDES-BENZ
0024203720	MERCEDES-BENZ
0054200120	MERCEDES-BENZ
005420012041	MERCEDES-BENZ
005420022041	MERCEDES-BENZ
A0024201920	MERCEDES-BENZ
A0024203720	MERCEDES-BENZ
A0054200120	MERCEDES-BENZ