



BRAKE PAD PRIME CERAMIC P50072N

The P50072N NAO brake pad is synonymous with reliability

Brembo NAO brake pads stand out for their ultimate braking comfort, reduced friction wear and low dust mission, which makes for cleaner rims and reduced maintenance requirements. The advanced friction material in keeping with the strictest environmental standards is the main distinguishing feature of NAO compounds.

- ✓ OE-equivalent
- ✓ Brembo quality
- ✓ Safety
- ✓ Comfort
- ✓ Durability
- ✓ Dust reduction
- ✓ With accessories



Technical specifications

EAN code
8020584088944

Axle
Rear

Thickness
15 mm

Width
64 mm

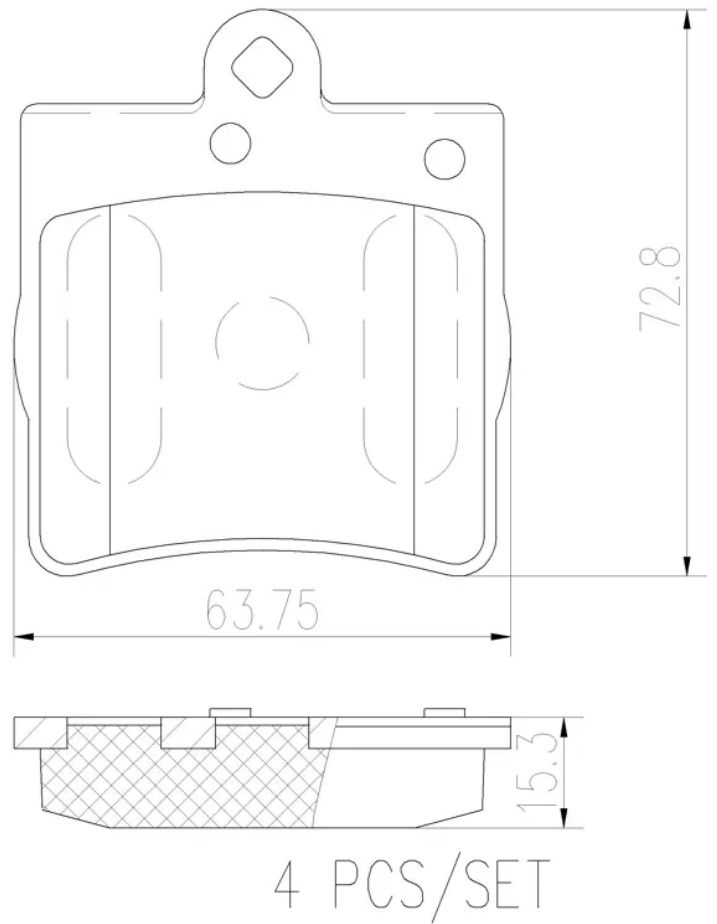
Height
73 mm

Braking system
Teves

Wear indicator
Without

WVA number
21919

Accessories
With anti-squeal shim



COMPATIBLE VEHICLES

COMPATIBLE OE PART NUMBERS

0004207904	MERCEDES-BENZ
0034202720	MERCEDES-BENZ
00342027200090	MERCEDES-BENZ
003420272037	MERCEDES-BENZ
A0004207904	MERCEDES-BENZ
A0034202720	MERCEDES-BENZ
A00342027200090	MERCEDES-BENZ
A003420272037	MERCEDES-BENZ