



# BRAKE PAD NAO P50099N

The P50099N NAO brake pad is synonymous with reliability

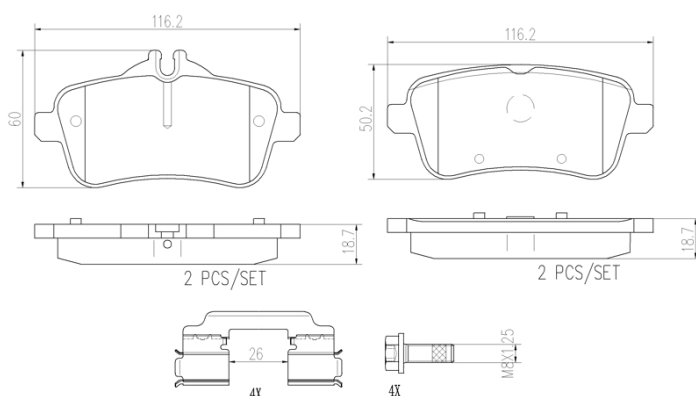
Brembo NAO brake pads stand out for their ultimate braking comfort, reduced friction wear and low dust mission, which makes for cleaner rims and reduced maintenance requirements. The advanced friction material in keeping with the strictest environmental standards is the main distinguishing feature of NAO compounds.

- ✓ OE-equivalent
- ✓ Brembo quality
- ✓ Safety
- ✓ Comfort
- ✓ Durability
- ✓ Dust reduction
- ✓ With accessories



## Technical specifications

EAN code <b>8020584080511</b>	Axle <b>Rear</b>	Thickness <b>19 mm</b>
Width <b>116 mm</b>	Height <b>50 mm</b>	Braking system <b>TRW</b>
Wear indicator <b>Prepared for wear indicator</b>	WVA number <b>25216,25215</b>	Accessories <b>With accessories With anti-squeal shim With brake caliper bolts</b>



**COMPATIBLE VEHICLES**

## COMPATIBLE OE PART NUMBERS

0004201705 MERCEDES-BENZ

---

0004206704 MERCEDES-BENZ

---

0064203320 MERCEDES-BENZ

---

0064203420 MERCEDES-BENZ

---

0064206820 MERCEDES-BENZ

---

0074207720 MERCEDES-BENZ

---

0074207820 MERCEDES-BENZ

---

0074209020 MERCEDES-BENZ

---

A004201705 MERCEDES-BENZ

---

A0064203320 MERCEDES-BENZ

---

A0064203420 MERCEDES-BENZ

---

A0064206820 MERCEDES-BENZ

---

A0074207720 MERCEDES-BENZ

---

A0074207820 MERCEDES-BENZ

---

A0074209020 MERCEDES-BENZ

---