

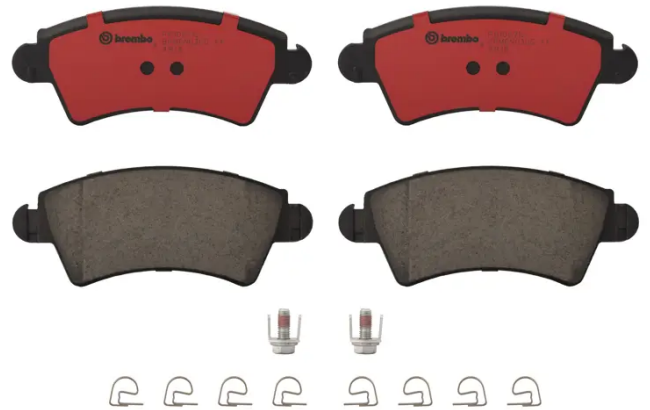


BRAKE PAD PRIME CERAMIC P61067N

The P61067N NAO brake pad is synonymous with reliability

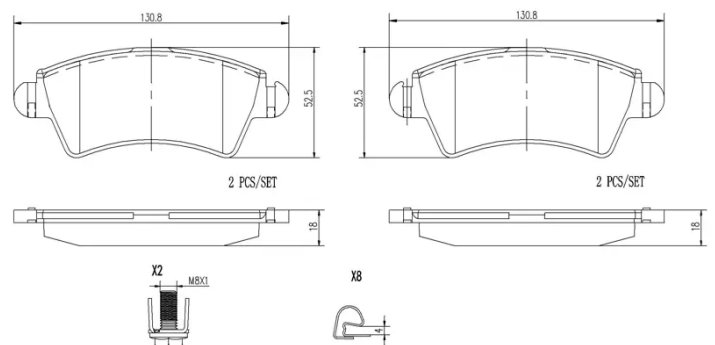
Brembo NAO brake pads stand out for their ultimate braking comfort, reduced friction wear and low dust mission, which makes for cleaner rims and reduced maintenance requirements. The advanced friction material in keeping with the strictest environmental standards is the main distinguishing feature of NAO compounds.

- ✓ OE-equivalent
- ✓ Brembo quality
- ✓ Safety
- ✓ Comfort
- ✓ Durability
- ✓ Dust reduction
- ✓ With accessories



Technical specifications

EAN code 8020584089330	Axle Front	Thickness 18 mm
Width 131 mm	Height 53 mm	Braking system Bosch
Wear indicator Acoustic	WVA number 23333,23332	Accessories With anti-squeal shim With accessories With brake caliper bolts



COMPATIBLE VEHICLES

COMPATIBLE OE PART NUMBERS

425229	CITROËN
--------	---------

E172132	CITROËN
---------	---------

425229	PEUGEOT
--------	---------

E172132	PEUGEOT
---------	---------