



BRAKE PAD PRIME CERAMIC P68059N

The P68059N NAO brake pad is synonymous with reliability

Brembo NAO brake pads stand out for their ultimate braking comfort, reduced friction wear and low dust mission, which makes for cleaner rims and reduced maintenance requirements. The advanced friction material in keeping with the strictest environmental standards is the main distinguishing feature of NAO compounds.

- ✓ OE-equivalent
- ✓ Brembo quality
- ✓ Safety
- ✓ Comfort
- ✓ Durability
- ✓ Dust reduction
- ✓ With accessories



Technical specifications

EAN code
8020584089781

Axle
Front

Thickness
18 mm

Width
140 mm

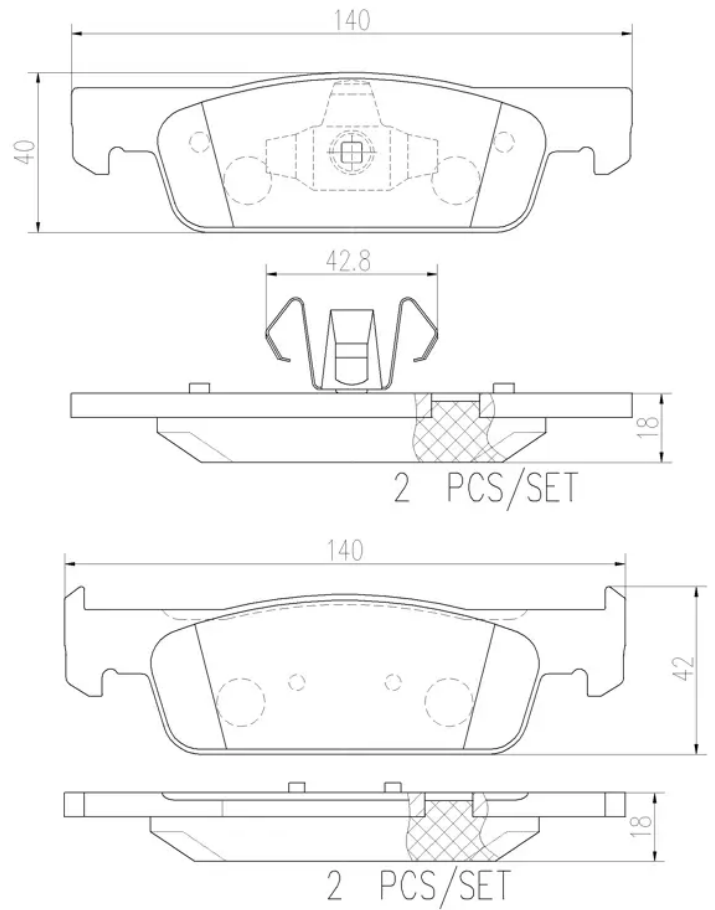
Height
40 mm

Braking system
Teves

Wear indicator
Without

WVA number
25702,25703

Accessories
With piston clip
With accessories
With anti-squeal shim



COMPATIBLE VEHICLES

COMPATIBLE OE PART NUMBERS

410605612R	DACIA
410605951R	DACIA
410602581R	RENAULT
410605612R	RENAULT
410605951R	RENAULT
410606032R	RENAULT
410608708R	RENAULT
8660005283	RENAULT
4534200700	SMART
4534210000	SMART
4534210010	SMART
4534210100	SMART
4534211400	SMART
4534212000	SMART
A4534200700	SMART
A4534210000	SMART
A4534210010	SMART
A4534210100	SMART
A4534211400	SMART
A4534211900	SMART
A4534212000	SMART