



BRAKE PAD PRIME CERAMIC P85122N

The P85122N NAO brake pad is synonymous with reliability

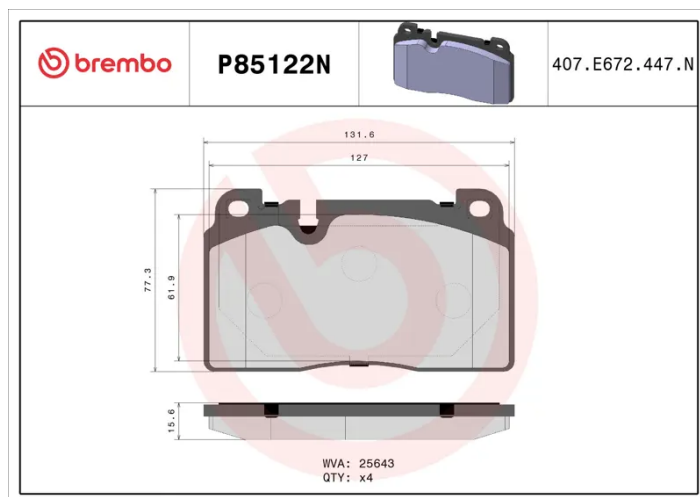
Brembo NAO brake pads stand out for their ultimate braking comfort, reduced friction wear and low dust mission, which makes for cleaner rims and reduced maintenance requirements. The advanced friction material in keeping with the strictest environmental standards is the main distinguishing feature of NAO compounds.

- ✓ OE-equivalent
- ✓ Brembo quality
- ✓ Safety
- ✓ Comfort
- ✓ Durability
- ✓ Dust reduction
- ✓ With accessories



Technical specifications

EAN code 8020584068076	Axle Front	Thickness 16 mm
Width 132 mm	Height 78 mm	Braking system Brembo
Wear indicator Prepared for wear indicator	WVA number 25643	Accessories With anti-squeal shim



COMPATIBLE VEHICLES

COMPATIBLE OE PART NUMBERS

8R0698151B	AUDI
------------	------

8R0698151E	AUDI
------------	------

8R0698151L	AUDI
------------	------

4H0698231	PORSCHE
-----------	---------

8R0698151B	SEAT
------------	------

8R0698151E	SEAT
------------	------

8R0698151L	SEAT
------------	------

8R0698151B	SKODA
------------	-------

8R0698151E	SKODA
------------	-------

8R0698151L	SKODA
------------	-------

8R0698151B	VW
------------	----

8R0698151E	VW
------------	----

8R0698151L	VW
------------	----