



BRAKE PAD

P 30 027

The P 30 027 brake pad is synonymous with reliability

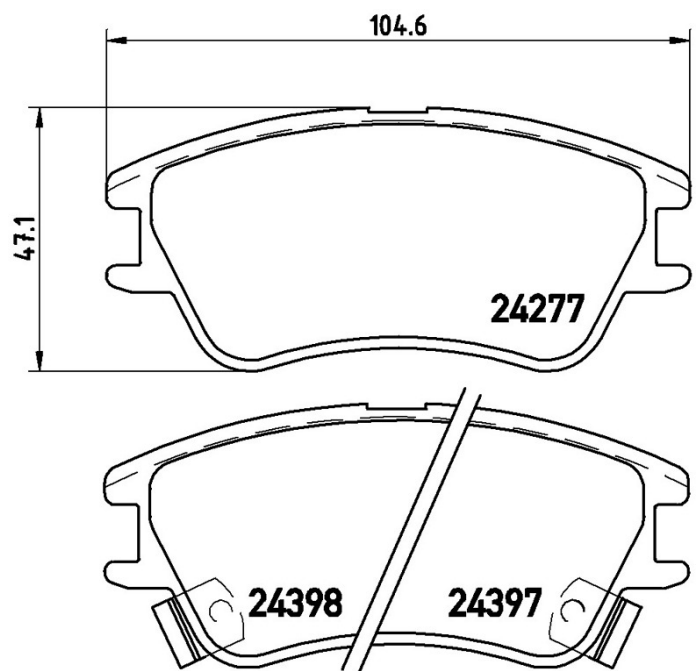
The Brembo brake pad guarantees ultimate safety when braking thanks to the use of more than 100 different compounds, designed according to the type of vehicle and use. Stopping distances reduced to a minimum, maximum driving comfort and silent operation are the most important features of Brembo materials. Brembo brake pads are supplied together with an extensive range of accessories and assembly kits for professional-standard installation.

- ✓ OE-equivalent
- ✓ Brembo quality
- ✓ ECE-R90 certificate
- ✓ Safety
- ✓ Performance
- ✓ Comfort



Technical specifications

EAN code	Axle	Thickness
8020584060650	Front	17 mm
Width	Height	Braking system
105 mm	47 mm	Mando
Wear indicator	WVA number	
Acoustic	24397,24277,24398	



COMPATIBLE VEHICLES

COMPATIBLE OE PART NUMBERS

AC698281D AC

5810102A10 HYUNDAI

5810105A10 HYUNDAI

5810105A30 HYUNDAI
