



BRAKE PAD

P 30 113

The P 30 113 brake pad is synonymous with reliability

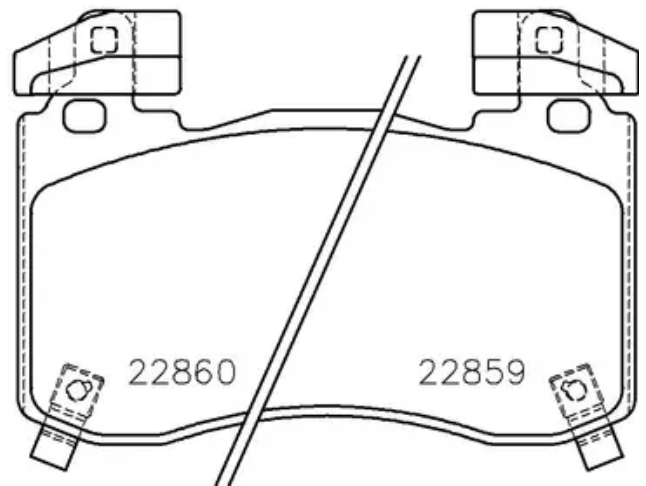
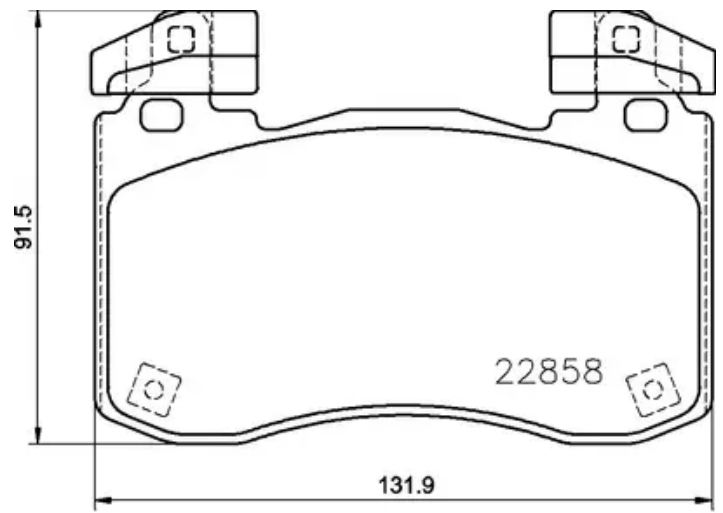
The Brembo brake pad guarantees ultimate safety when braking thanks to the use of more than 100 different compounds, designed according to the type of vehicle and use. Stopping distances reduced to a minimum, maximum driving comfort and silent operation are the most important features of Brembo materials. Brembo brake pads are supplied together with an extensive range of accessories and assembly kits for professional-standard installation.



- ✓ OE-equivalent
- ✓ Brembo quality
- ✓ ECE-R90 certificate
- ✓ Safety
- ✓ Performance
- ✓ Comfort

Technical specifications

EAN code	Axle	Thickness
8020584116500	Front	17 mm
Width	Height	Braking system
131 mm	91 mm	Brembo
Wear indicator	WVA number	Accessories
Acoustic	22859,22858,22860	With counterweights With anti-squeal shim



COMPATIBLE VEHICLES

COMPATIBLE OE PART NUMBERS

58101J5A51	GENESIS
58101J5A50	KIA
58101J5A51	KIA
58101J5A55	KIA