



BRAKE PAD

P 44 012

The P 44 012 brake pad is synonymous with reliability

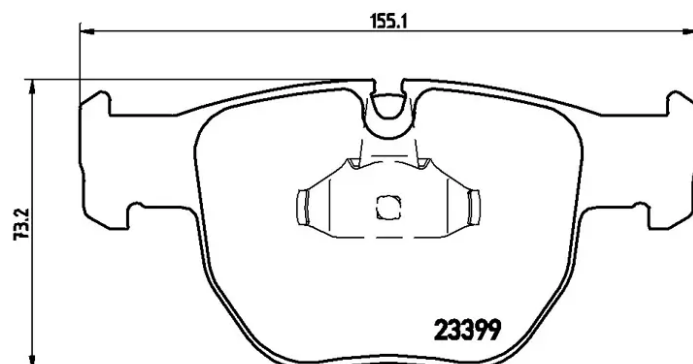
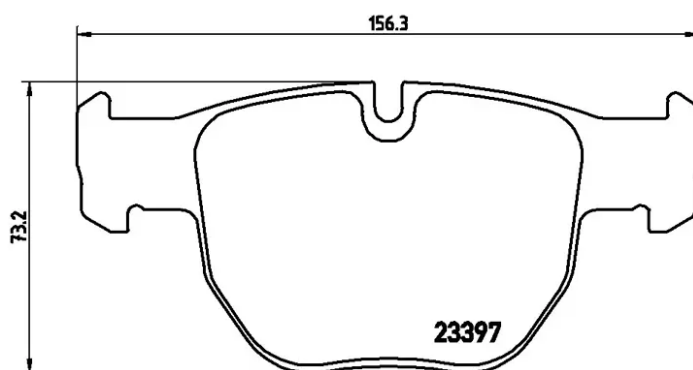
The Brembo brake pad guarantees ultimate safety when braking thanks to the use of more than 100 different compounds, designed according to the type of vehicle and use. Stopping distances reduced to a minimum, maximum driving comfort and silent operation are the most important features of Brembo materials. Brembo brake pads are supplied together with an extensive range of accessories and assembly kits for professional-standard installation.

- ✓ OE-equivalent
- ✓ Brembo quality
- ✓ ECE-R90 certificate
- ✓ Safety
- ✓ Performance
- ✓ Comfort
- ✓ With accessories



Technical specifications

| | | |
|------------------------------------------------------|----------------------------------|---------------------------------------------------------------------------------------|
| EAN code 8020584053355 | Axle Front | Thickness 19 mm |
| Width 155 mm | Height 73 mm | Braking system Teves |
| Wear indicator Prepared for wear indicator | WVA number 23397,23399 | Accessories With accessories With anti-squeal shim With piston clip |



COMPATIBLE VEHICLES

COMPATIBLE OE PART NUMBERS

| | |
|-----------|------------|
| SFC000010 | LAND ROVER |
| SFC500010 | LAND ROVER |
| SFC500050 | LAND ROVER |
| SFC500070 | LAND ROVER |
| SFC500080 | LAND ROVER |
| SFC500090 | LAND ROVER |