



BRAKE PAD

P 50 121

The P 50 121 brake pad is synonymous with reliability

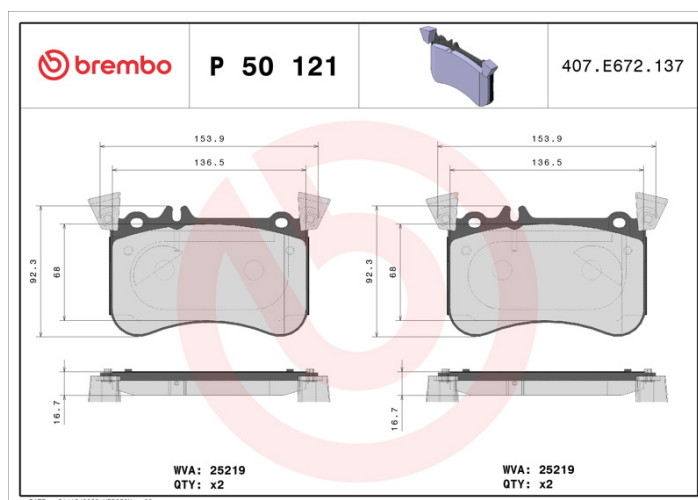
The Brembo brake pad guarantees ultimate safety when braking thanks to the use of more than 100 different compounds, designed according to the type of vehicle and use. Stopping distances reduced to a minimum, maximum driving comfort and silent operation are the most important features of Brembo materials. Brembo brake pads are supplied together with an extensive range of accessories and assembly kits for professional-standard installation.

- ✓ OE-equivalent
- ✓ Brembo quality
- ✓ ECE-R90 certificate
- ✓ Safety
- ✓ Performance
- ✓ Comfort



Technical specifications

EAN code 8020584112649	Axle Front	Thickness 17 mm
Width 154 mm	Height 92 mm	Braking system Brembo
Wear indicator Prepared for wear indicator	WVA number 25219	Accessories With counterweights



COMPATIBLE VEHICLES

COMPATIBLE OE PART NUMBERS

0004204100 MERCEDES-BENZ

0004207800 MERCEDES-BENZ

0074201220 MERCEDES-BENZ

0074203120 MERCEDES-BENZ

0084203220 MERCEDES-BENZ

A0004204100 MERCEDES-BENZ

A0004206804 MERCEDES-BENZ

A0004207800 MERCEDES-BENZ

A0074201220 MERCEDES-BENZ

A0074203120 MERCEDES-BENZ

A0084203220 MERCEDES-BENZ
