



# BRAKE PAD

## P 59 060

The P 59 060 brake pad is synonymous with reliability

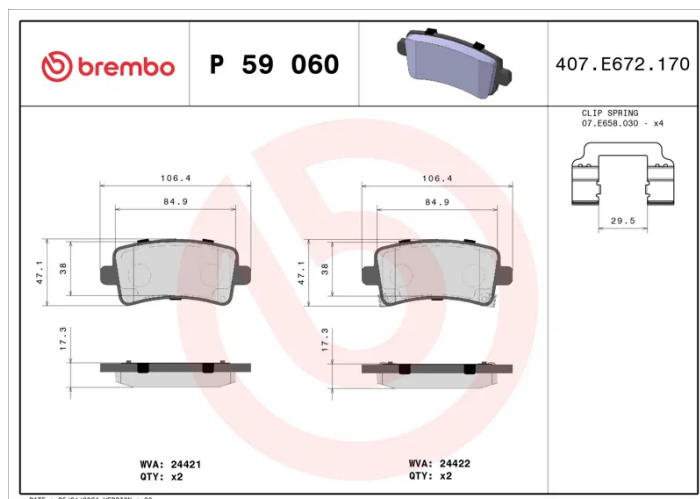
The Brembo brake pad guarantees ultimate safety when braking thanks to the use of more than 100 different compounds, designed according to the type of vehicle and use. Stopping distances reduced to a minimum, maximum driving comfort and silent operation are the most important features of Brembo materials. Brembo brake pads are supplied together with an extensive range of accessories and assembly kits for professional-standard installation.

- ✓ OE-equivalent
- ✓ Brembo quality
- ✓ ECE-R90 certificate
- ✓ Safety
- ✓ Performance
- ✓ Comfort
- ✓ With accessories



### Technical specifications

EAN code <b>8020584090756</b>	Axle <b>Rear</b>	Thickness <b>17 mm</b>
Width <b>106 mm</b>	Height <b>47 mm</b>	Braking system <b>TRW</b>
Wear indicator <b>Acoustic</b>	WVA number <b>24421,24422</b>	Accessories <b>With accessories With piston clip With anti-squeal shim</b>



COMPATIBLE VEHICLES

## COMPATIBLE OE PART NUMBERS

13237767	BUICK
13338368	BUICK
16586609	BUICK
22846360	BUICK
84144898	BUICK
84144898	CADILLAC
22846362	CHEVROLET
84144898	CHEVROLET
13237766	GENERAL MOTORS
13338368	GENERAL MOTORS
13343451	GENERAL MOTORS
1605104	GENERAL MOTORS
1605179	GENERAL MOTORS
1605223	GENERAL MOTORS
1605366	GENERAL MOTORS
20965713	GENERAL MOTORS
22846360	GENERAL MOTORS
95514644	GENERAL MOTORS
95515498	GENERAL MOTORS
13237766	OPEL
13338368	OPEL
13343451	OPEL
1605104	OPEL
1605179	OPEL
1605223	OPEL
1605366	OPEL
16586609	OPEL
22846362	OPEL
39021483	OPEL
542125	OPEL
95514644	OPEL
95515498	OPEL
13237767	SAAB
20978663	SAAB
95515498	VAUXHALL