



BRAKE PAD

P 66 003

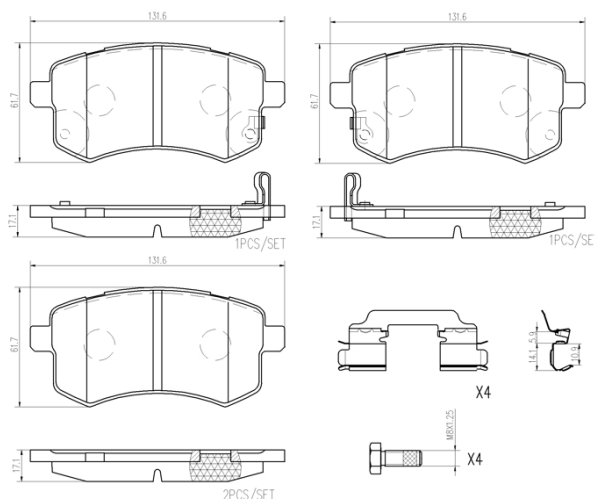
The P 66 003 brake pad is synonymous with reliability

The Brembo brake pad guarantees ultimate safety when braking thanks to the use of more than 100 different compounds, designed according to the type of vehicle and use. Stopping distances reduced to a minimum, maximum driving comfort and silent operation are the most important features of Brembo materials. Brembo brake pads are supplied together with an extensive range of accessories and assembly kits for professional-standard installation.

- ✓ OE-equivalent
- ✓ Brembo quality
- ✓ ECE-R90 certificate
- ✓ Safety
- ✓ Performance
- ✓ Comfort
- ✓ With accessories

Technical specifications

EAN code 8020584115237	Axle Front	Thickness 17 mm
Width 132 mm	Height 62 mm	Braking system TRW
Wear indicator Acoustic	WVA number 25283,25284,25285	Accessories With accessories With brake caliper bolts With anti-squeal shim



COMPATIBLE VEHICLES

COMPATIBLE OE PART NUMBERS