



BRAKE PAD

P 85 195

The P 85 195 brake pad is synonymous with reliability

The Brembo brake pad guarantees ultimate safety when braking thanks to the use of more than 100 different compounds, designed according to the type of vehicle and use. Stopping distances reduced to a minimum, maximum driving comfort and silent operation are the most important features of Brembo materials. Brembo brake pads are supplied together with an extensive range of accessories and assembly kits for professional-standard installation.



- ✓ OE-equivalent
- ✓ Brembo quality
- ✓ ECE-R90 certificate
- ✓ Safety
- ✓ Performance
- ✓ Comfort
- ✓ With accessories

Technical specifications

EAN code
8020584122976

Axle
Front

Thickness
15 mm

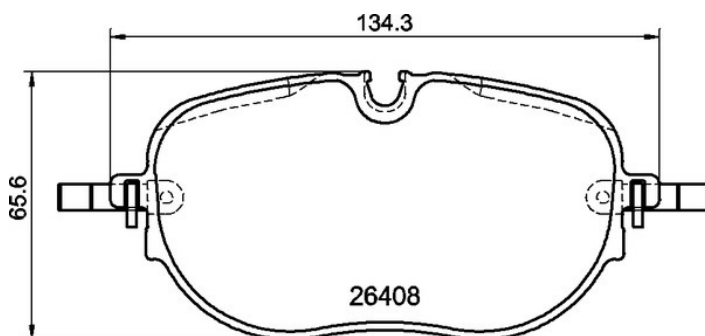
Width
134 mm

Height
66 mm

Wear indicator
Electric

WVA number
26408

Accessories
With brake caliper bolts
With accessories
With anti-squeal shim



COMPATIBLE VEHICLES

COMPATIBLE OE PART NUMBERS

1EA698151L	CUPRA
------------	-------

1EA698151	VW
-----------	----

1EA698151L	VW
------------	----

1ED698151D	VW (SVW)
------------	----------
