



# SP BRAKE PAD 07BB03SP

The 07BB03SP brake pad is synonymous with reliability

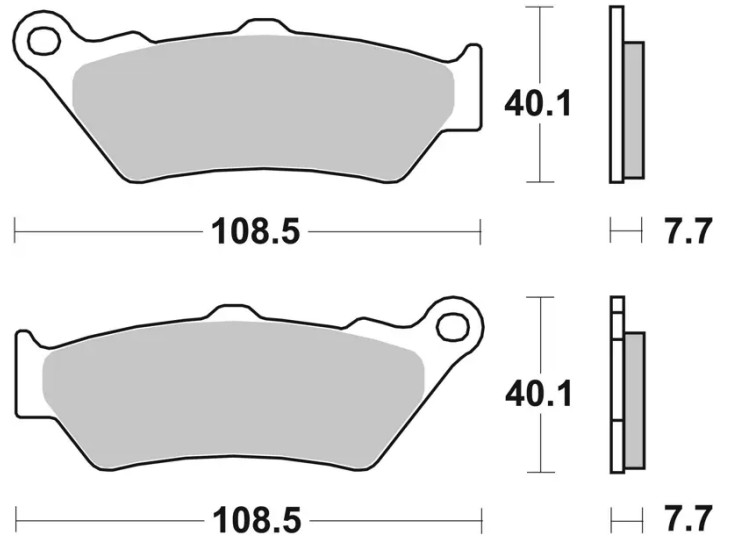
Sintered compound, for rear application and stable in all conditions of use.

- ✓ OE-equivalent
- ✓ Brembo quality
- ✓ ECE-R90 certificate
- ✓ Safety
- ✓ Comfort



## Technical specifications

Width mm	Height <b>40,11</b> mm	Thickness <b>7,7</b> mm
Compound <b>Sinter</b>	Units per box <b>2</b>	



COMPATIBLE VEHICLES