



# BRAKE DISC XTRA

## 08.C172.1X

The 08.C172.1X Xtra brake disc is synonymous with reliability

The Brembo Xtra brake disc features holes on the braking surface. The holes are designed to improve the cooling of the braking system, to generate greater fading resistance and grip in the initial stages of braking. The sports look is also enhanced by the presence of the UV paint.

- ✓ Brembo quality
- ✓ ECE-R90 certificate
- ✓ Performance
- ✓ Sports driving
- ✓ Sporty look
- ✓ Anti-corrosion
- ✓ Fastening screws



### Technical specifications



EAN code  
**8020584032688**

Axle  
**Rear**

Diameter  $\varnothing$   
**262 mm**

Thickness (TH)  
**10 mm**

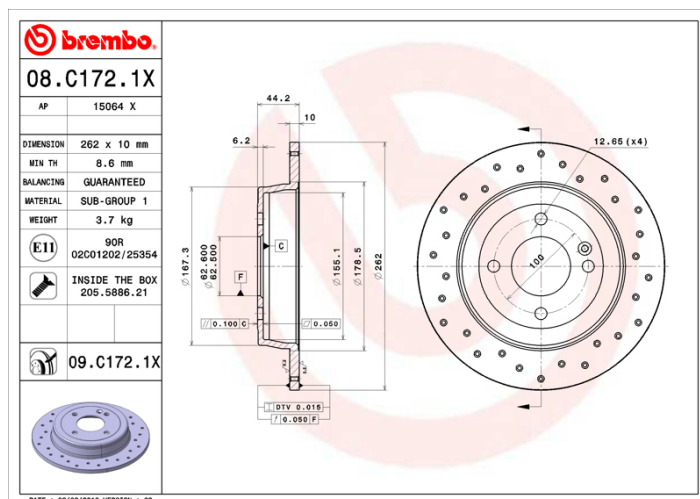
Height (A)  
**44 mm**

Number of holes (C)  
**4**

Brake disc type  
**Solid**

Centering (B)  
**63 mm**

Min. thickness  
**8,6 mm**



COMPATIBLE VEHICLES

## COMPATIBLE OE PART NUMBERS

584110U300	HYUNDAI
58411C8000	HYUNDAI
5584110U300	HYUNDAI
584110U300	HYUNDAI (BEIJING)
584110U300	KIA
5584110U300	KIA
584110U300	KIA (DYK)