



BRAKE DISC PAINTED

09.5390.31

The 09.5390.31 painted brake disc is synonymous with reliability

The Brembo brake disc with special UV paint treatment guarantees superior corrosion resistance for the product, thanks to the protective coating on the outer edges and on the disc hub. The UV paint not only gives the disc a clean, shiny appearance but is also beneficial for the environment as the water-based UV paint treatment does not require the use of chemical solvents and is a low energy consumption process.

- ✓ OE-equivalent
- ✓ Brembo quality
- ✓ ECE-R90 certificate
- ✓ Safety
- ✓ High carbon
- ✓ Anti-corrosion
- ✓ Fastening screws

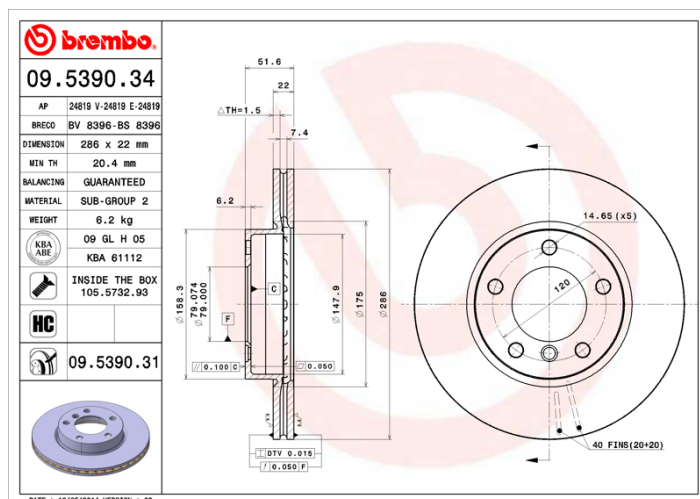


Technical specifications



EAN code	Axle	Diameter Ø
8020584018163	Front	286 mm
Thickness (TH)	Height (A)	Number of holes (C)
22 mm	52 mm	5
Brake disc type	Centering (B)	Min. thickness
Ventilated	79 mm	20,4 mm

Tightening torque
120 Nm



COMPATIBLE VEHICLES

COMPATIBLE OE PART NUMBERS

34111160674 BMW

34111160981 BMW

34111162282 BMW

34111162288 BMW

34111164199 BMW

34111164431 BMW

34111164921 BMW

34111165455 BMW

34116766239 BMW

34116794301 BMW

34116855153 BMW

34116864060 BMW

34111162282 DE LA CHAPELLE
