



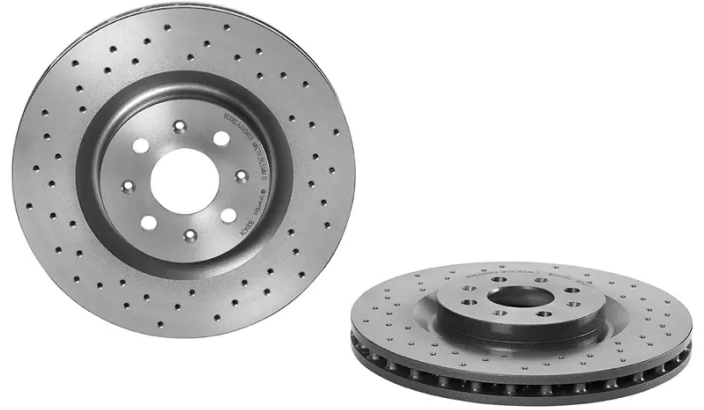
BRAKE DISC XTRA

09.8004.3X

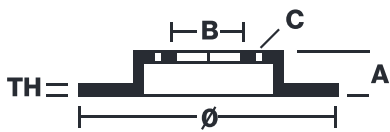
The **09.8004.3X Xtra** brake disc is synonymous with reliability

The Brembo Xtra brake disc features holes on the braking surface. The holes are designed to improve the cooling of the braking system, to generate greater fading resistance and grip in the initial stages of braking. The sports look is also enhanced by the presence of the UV paint.

- ✓ Brembo quality
- ✓ ECE-R90 certificate
- ✓ Performance
- ✓ Sports driving
- ✓ Sporty look
- ✓ High carbon
- ✓ Anti-corrosion
- ✓ PVT ventilation
- ✓ Fastening screws



Technical specifications



EAN code	Diameter Ø	
8020584217665	305 mm	
Thickness (TH)	Height (A)	Number of holes (C)
28 mm	45 mm	4
Brake disc type	Centering (B)	Min. thickness
Ventilated	60 mm	26,5 mm
Tightening torque		
98 Nm		

