



BRAKE DISC PAINTED

09.9936.11

The 09.9936.11 painted brake disc is synonymous with reliability

The Brembo brake disc with special UV paint treatment guarantees superior corrosion resistance for the product, thanks to the protective coating on the outer edges and on the disc hub. The UV paint not only gives the disc a clean, shiny appearance but is also beneficial for the environment as the water-based UV paint treatment does not require the use of chemical solvents and is a low energy consumption process.

- ✓ OE-equivalent
- ✓ Brembo quality
- ✓ ECE-R90 certificate
- ✓ Safety
- ✓ High carbon
- ✓ Anti-corrosion
- ✓ Fastening screws

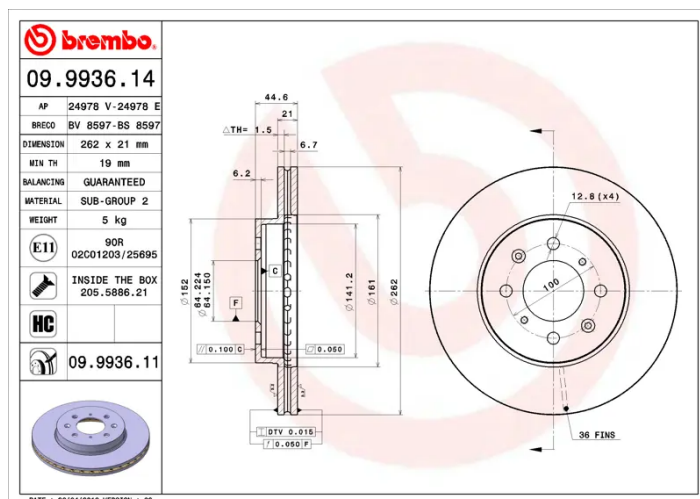


Technical specifications



EAN code 8020584222171	Axle Front	Diameter Ø 262 mm
Thickness (TH) 21 mm	Height (A) 45 mm	Number of holes (C) 4
Brake disc type Ventilated	Centering (B) 64 mm	Min. thickness 19 mm

Tightening torque
108 Nm



COMPATIBLE VEHICLES

COMPATIBLE OE PART NUMBERS

45251S06000	HONDA
-------------	-------

45251S5DA10	HONDA
-------------	-------

45251S5HT10	HONDA
-------------	-------

45251S6DE10	HONDA
-------------	-------

45251SCC000	HONDA
-------------	-------

45251SCC900	HONDA
-------------	-------

45251SCC901	HONDA
-------------	-------

45251TARG00	HONDA
-------------	-------

45251TF3E00	HONDA
-------------	-------

45251TF3E01	HONDA
-------------	-------

45251TG5H00	HONDA
-------------	-------

45251TRDT00	HONDA
-------------	-------

45251TG5H00	HONDA (GAC)
-------------	-------------