



# BRAKE DISC

## 09.A130.10

The **09.A130.10** brake disc is synonymous with reliability

The Brembo brake disc is fully interchangeable with an Original Equipment brake disc. The control of the entire production cycle allows Brembo to offer brake discs with outstanding performance levels, reliability, durability and comfort in all conditions of use. All Brembo brake discs are accompanied by the ECE-R90 homologation.

- ✓ OE-equivalent
- ✓ Brembo quality
- ✓ ECE-R90 certificate
- ✓ Safety



### Technical specifications



EAN code  
**8020584018842**

Axle  
**Front**

Diameter Ø  
**257 mm**

Thickness (TH)  
**28 mm**

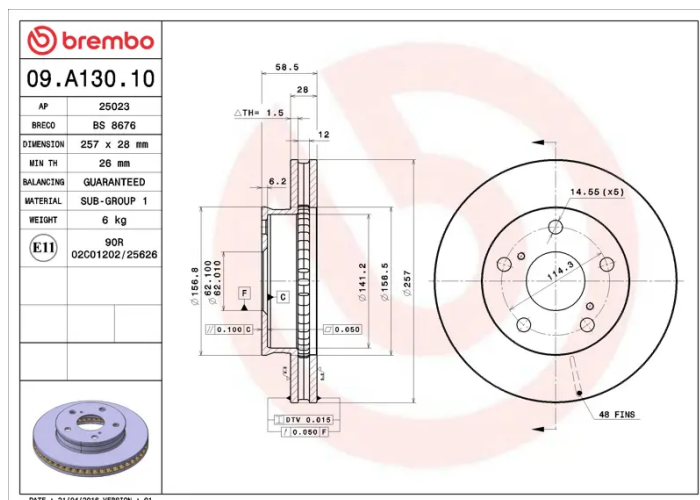
Height (A)  
**59 mm**

Number of holes (C)  
**5**

Brake disc type  
**Ventilated**

Centering (B)  
**62 mm**

Min. thickness  
**26 mm**



COMPATIBLE VEHICLES

## COMPATIBLE OE PART NUMBERS

435120K020	TOYOTA
435120K030	TOYOTA