



BRAKE DISC PAINTED

09.A204.11

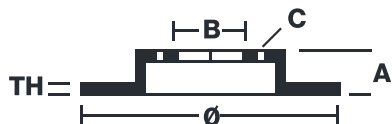
The **09.A204.11** painted brake disc is synonymous with reliability

The Brembo brake disc with special UV paint treatment guarantees superior corrosion resistance for the product, thanks to the protective coating on the outer edges and on the disc hub. The UV paint not only gives the disc a clean, shiny appearance but is also beneficial for the environment as the water-based UV paint treatment does not require the use of chemical solvents and is a low energy consumption process.

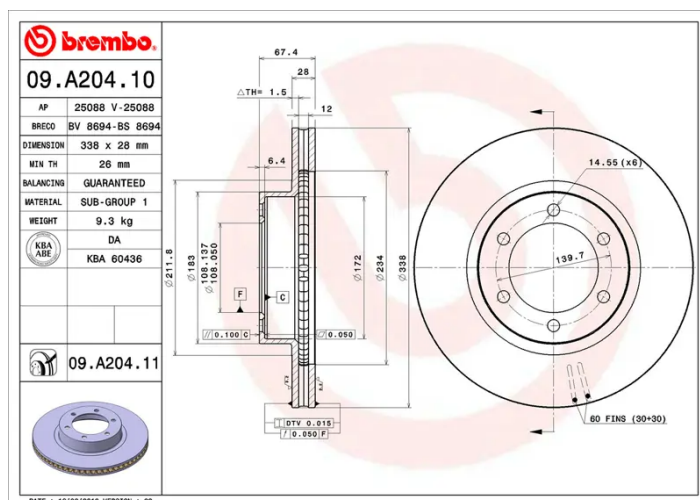
- ✓ OE-equivalent
- ✓ Brembo quality
- ✓ ECE-R90 certificate
- ✓ Safety
- ✓ Anti-corrosion



Technical specifications



EAN code 8020584032602	Axle Front	Diameter Ø 338 mm
Thickness (TH) 28 mm	Height (A) 67 mm	Number of holes (C) 6
Brake disc type Ventilated	Centering (B) 108 mm	Min. thickness 26 mm
Tightening torque 112 Nm		



COMPATIBLE VEHICLES

COMPATIBLE OE PART NUMBERS

4351260151	LEXUS
------------	-------

4351260160	LEXUS
------------	-------

4351260150	TOYOTA
------------	--------

4351260151	TOYOTA
------------	--------

4351260160	TOYOTA
------------	--------

4351260150	TOYOTA (FAW)
------------	--------------

4351260151	TOYOTA (FAW)
------------	--------------